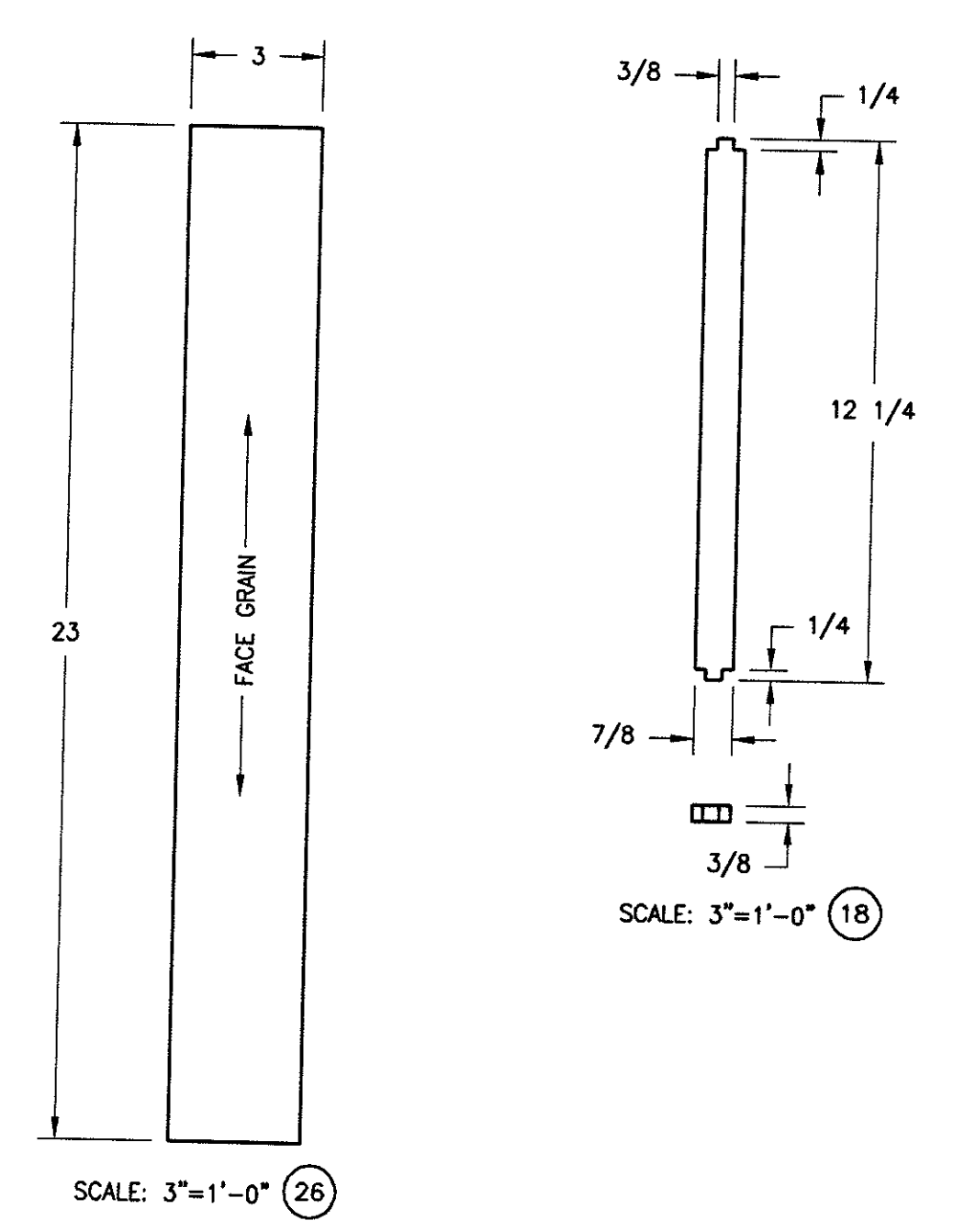
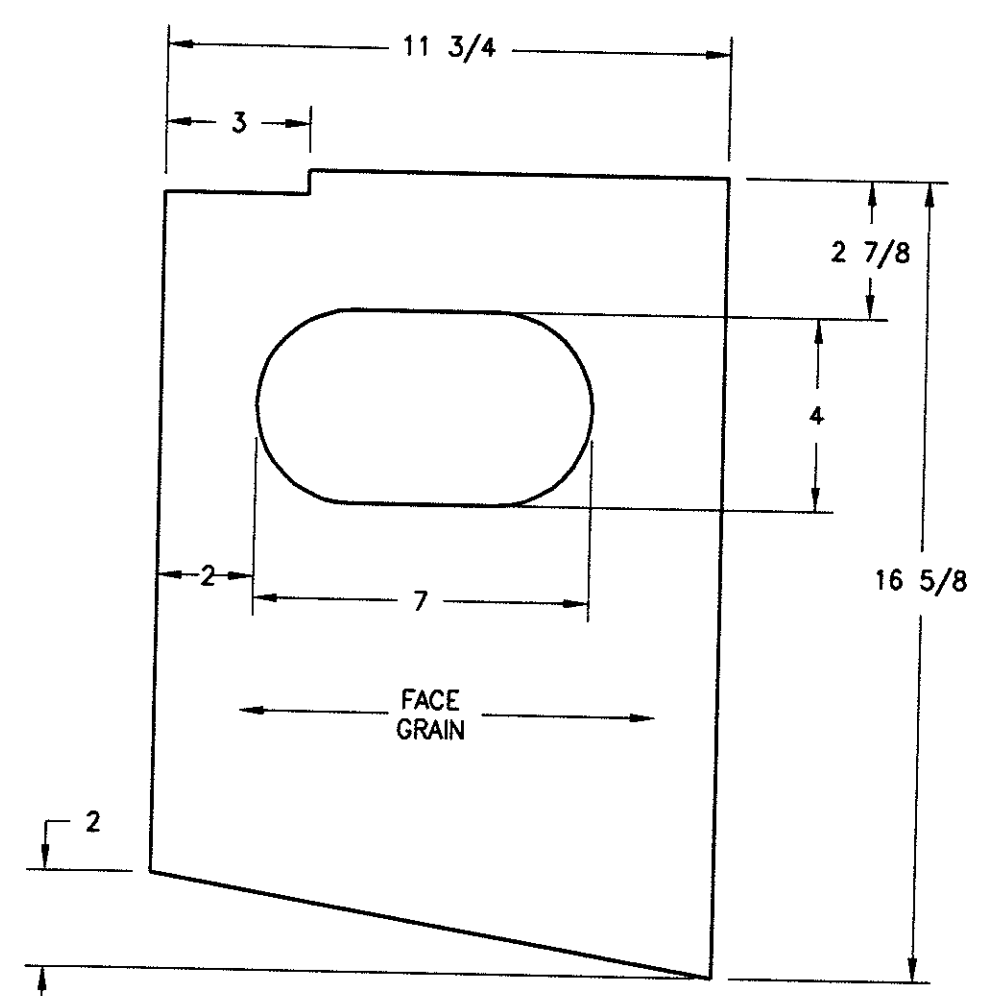


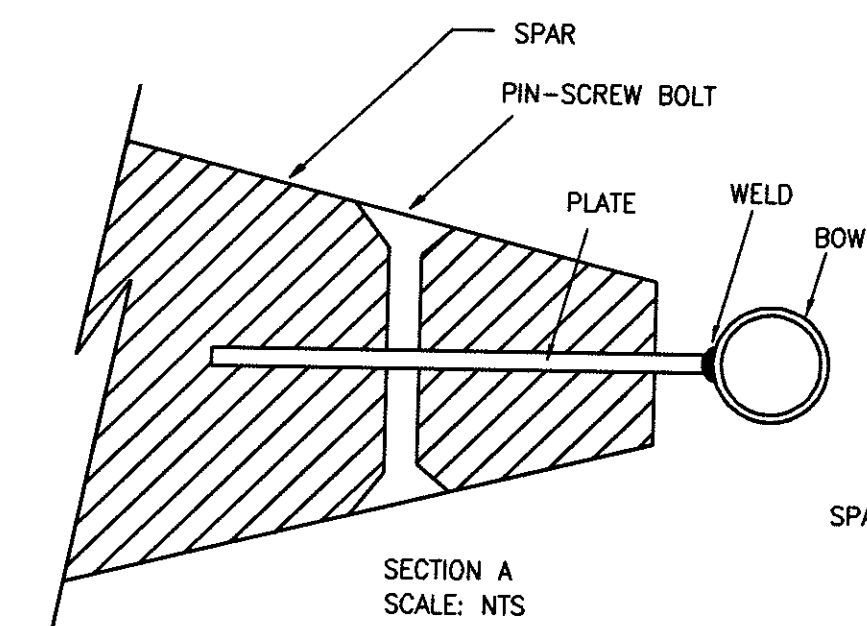
SCALE: 3"=1'-0" (24)



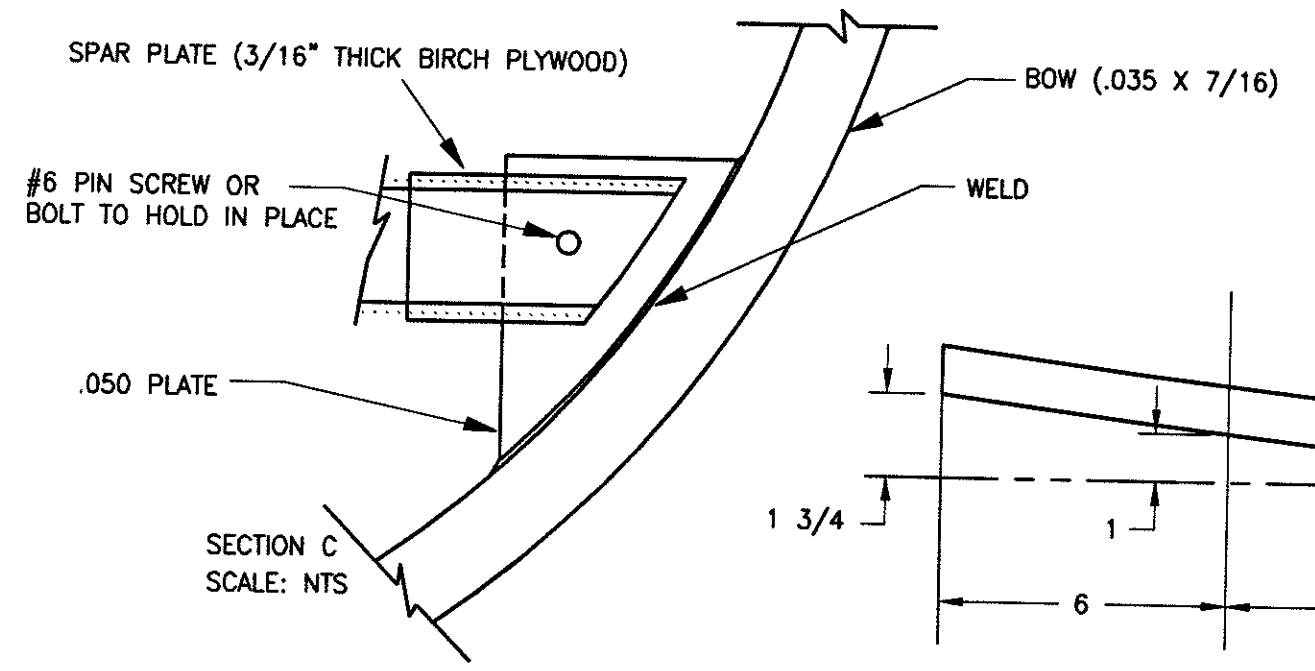
SCALE: 3"=1'-0" (26)



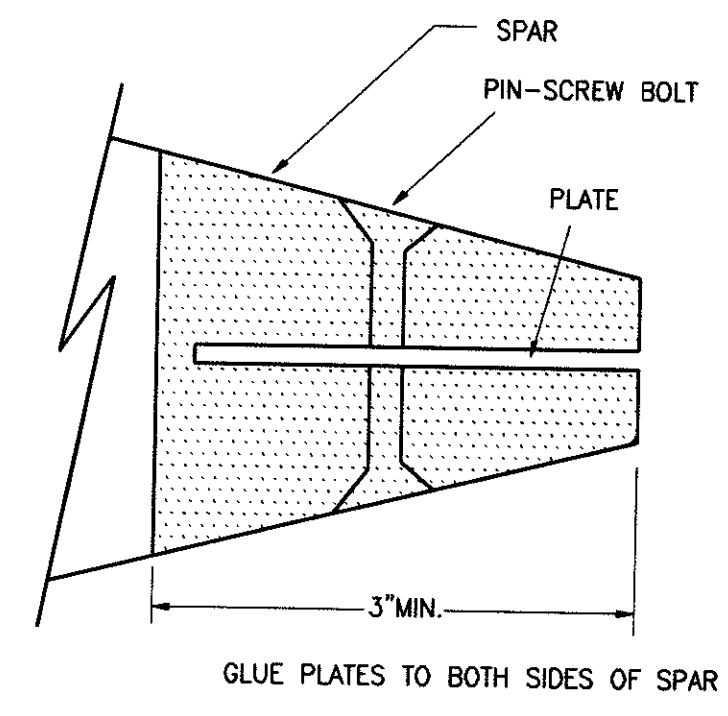
SCALE: 3"=1'-0" (25)



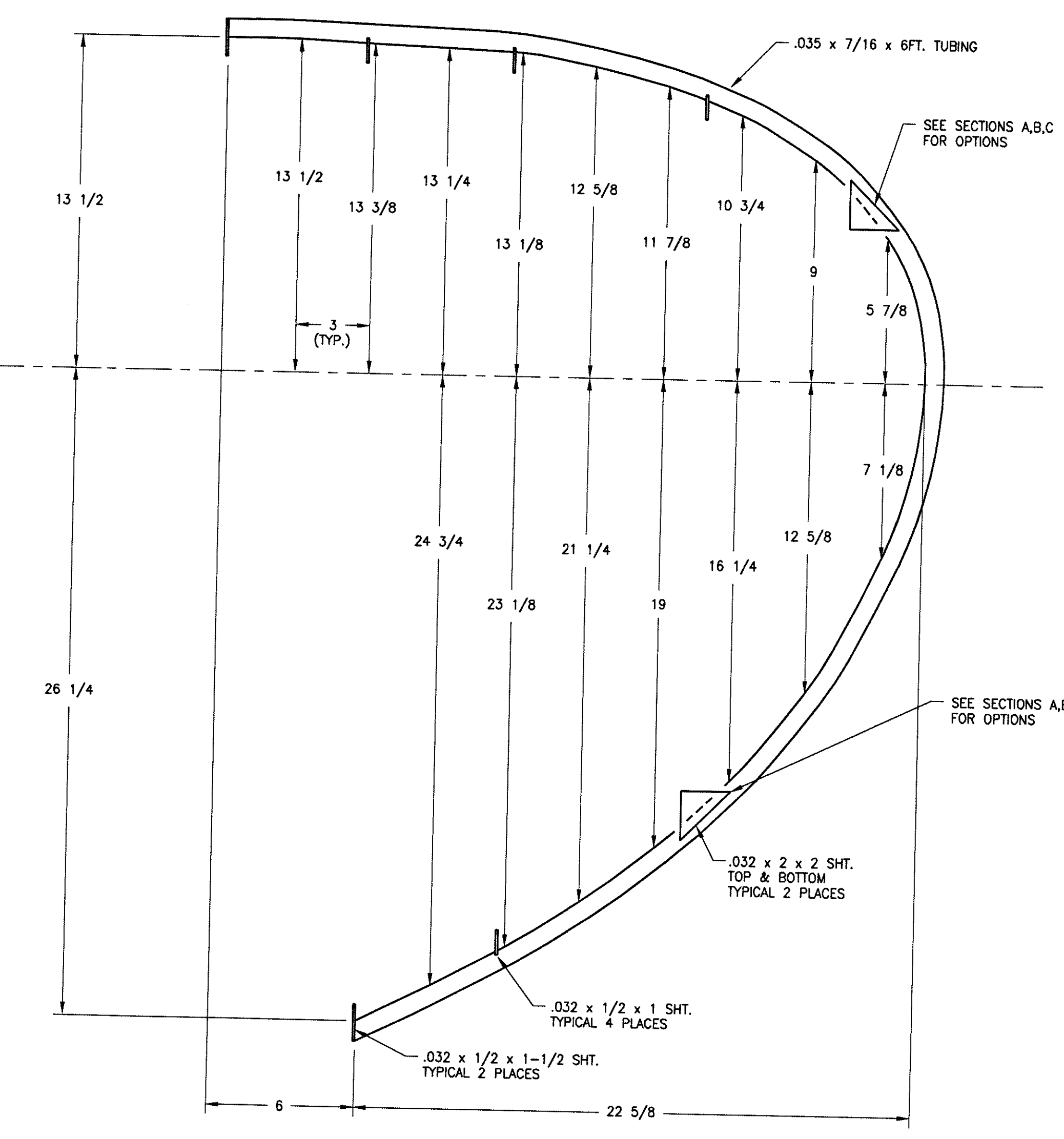
SECTION A  
SCALE: NTS



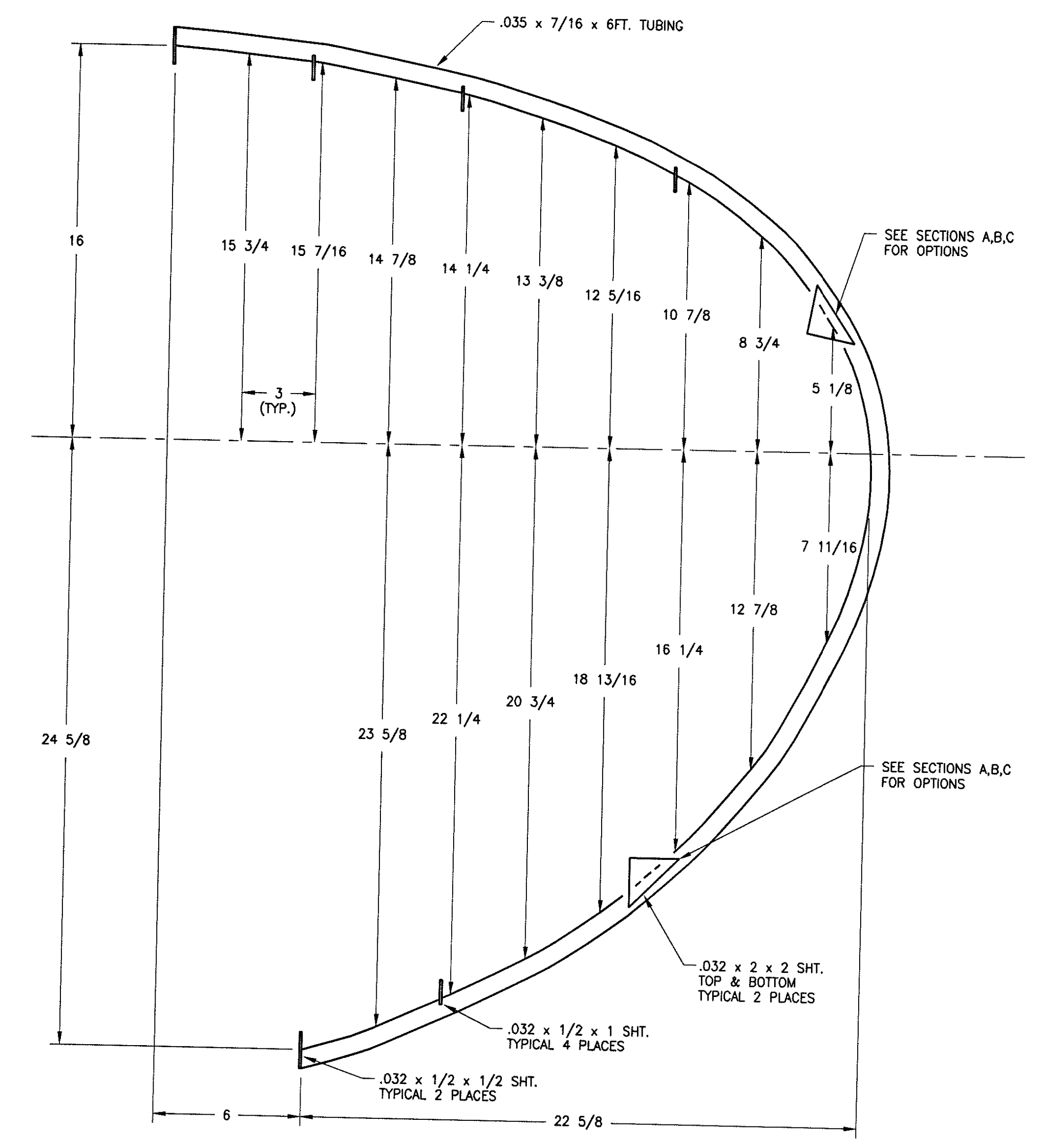
SECTION C  
SCALE: NTS



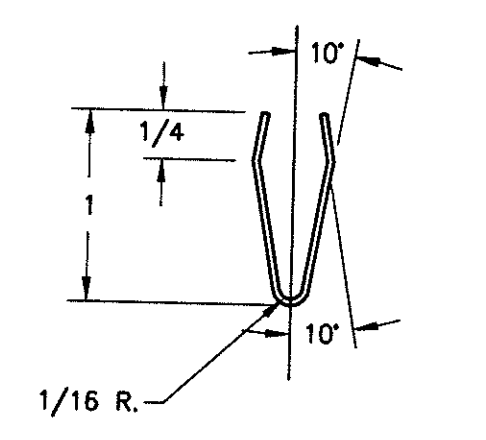
SECTION B  
SCALE: NTS



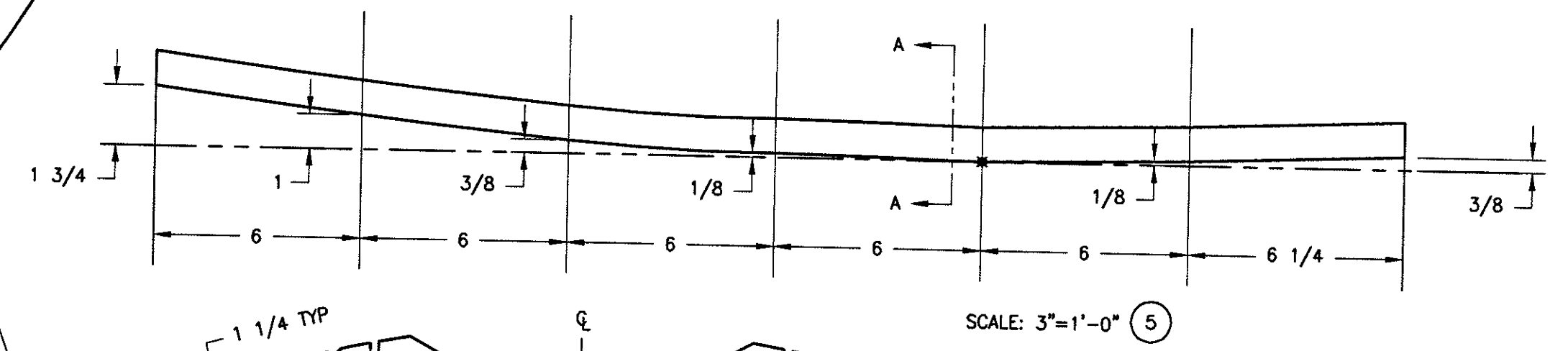
SCALE: 3"=1'-0" (3)



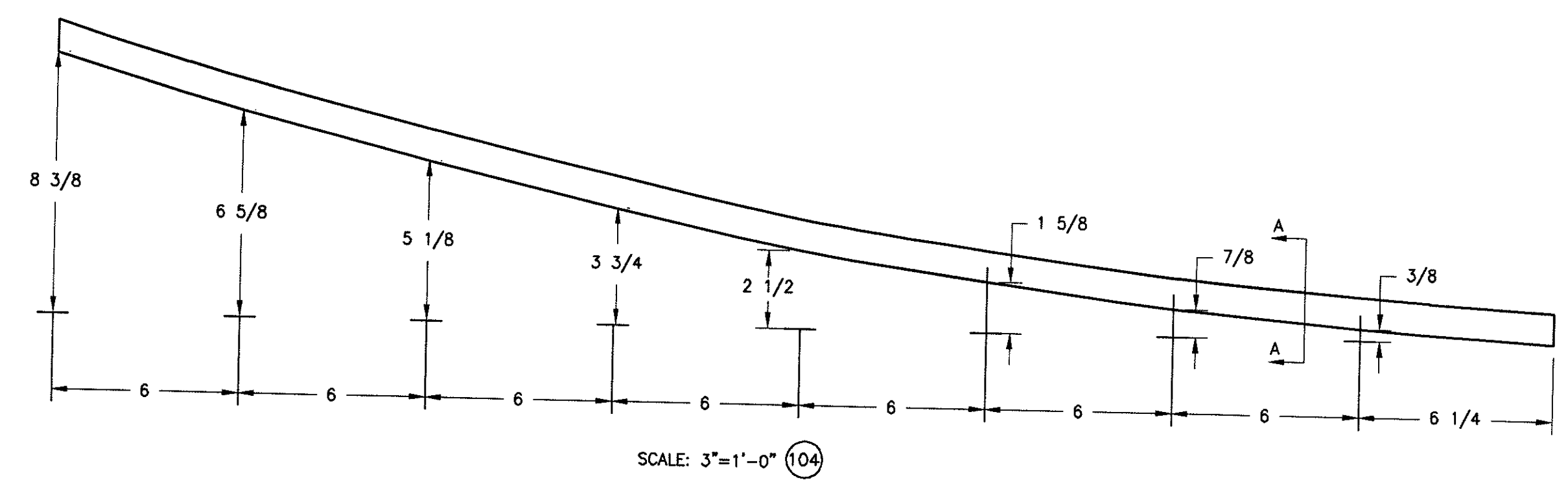
SCALE: 3"=1'-0" (109)



SECTION AA TYP. 2 PLACES  
.032 6061T4 AL ALY  
STRETCH FORMED

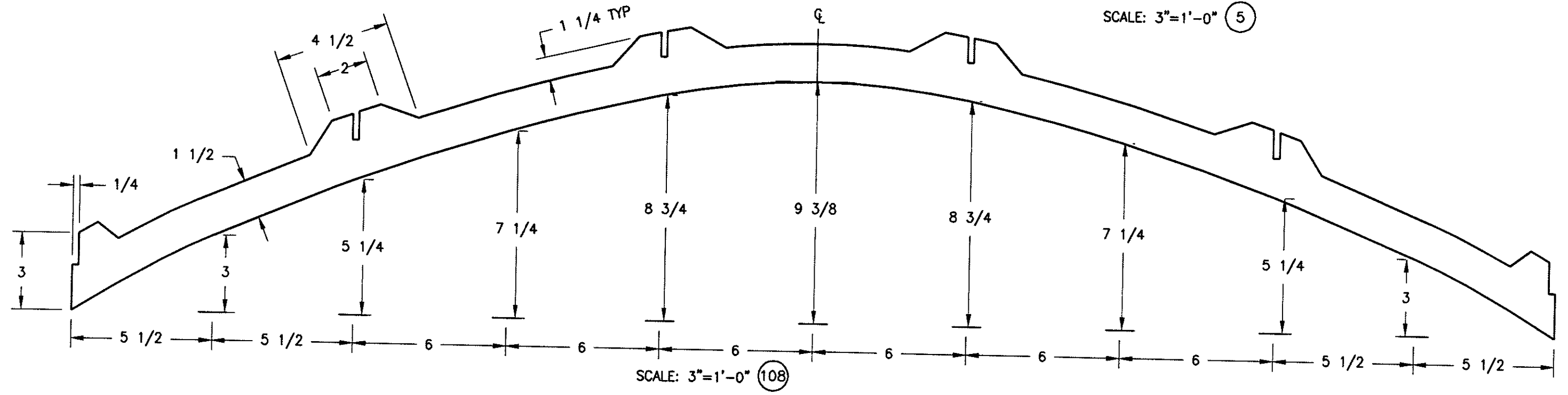


SCALE: 3"=1'-0" (5)



SCALE: 3"=1'-0" (104)

NOTE: ALUMINUM TRAILING EDGES SHOWN



SCALE: 3"=1'-0" (108)

PRODUCT NAMES AND PLANS ARE COPYRIGHTED ALL RIGHTS RESERVED-PLANS PURCHASER IS AUTHORIZED TO BUILD ONE AIRPLANE ONLY-UNAUTHORIZED REPRODUCTION, OR COMMERCIAL USE OF THESE PLANS EXPRESSLY PROHIBITED.

REVISION:	DATE:

Sheet No. 5 Starduster Too Model SA300  
 DRAWN BY: 6/1/98  
 DESIGN BY: TRAILING EDGE AND WING TIP  
 129 Chuck Yeager Way, Oroville, CA 95965  
 PHONE: 530-534-7434 FAX: 530-534-7451  
 WEB SITE: www.starduster.com