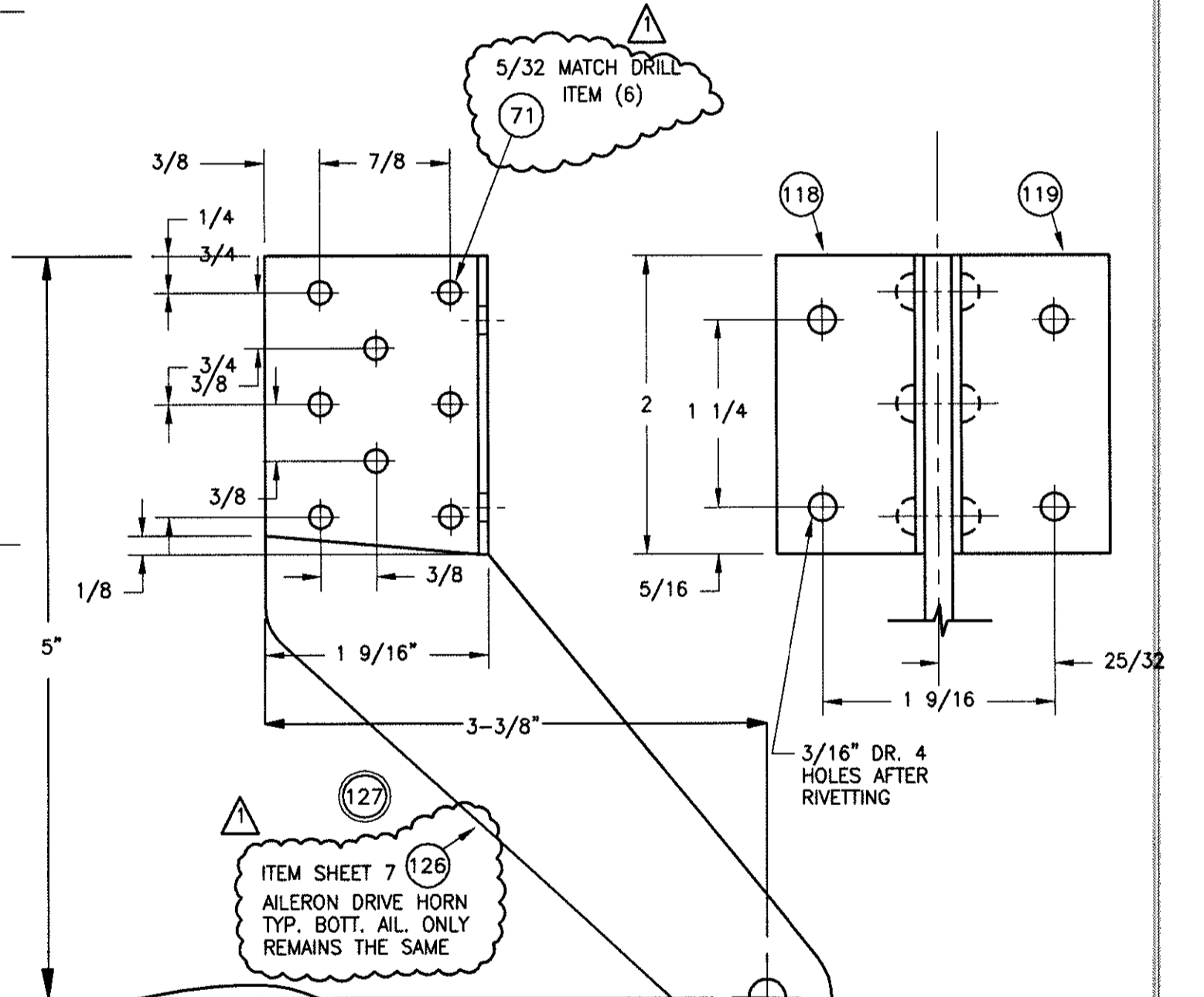
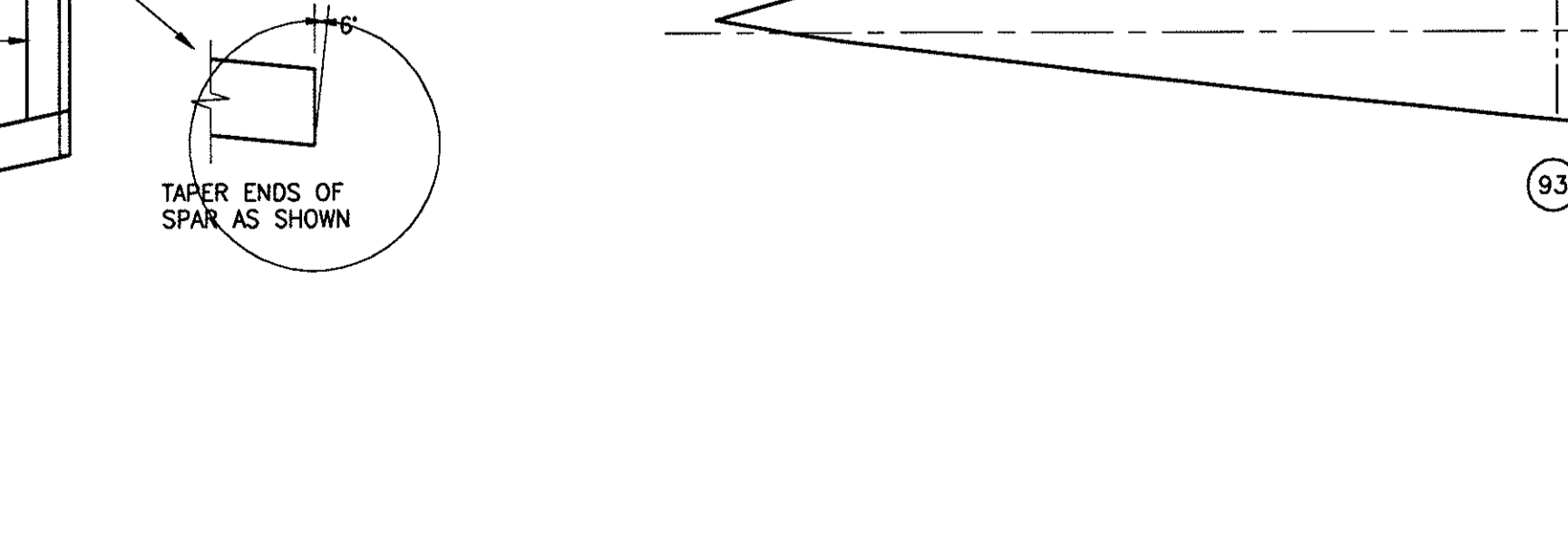
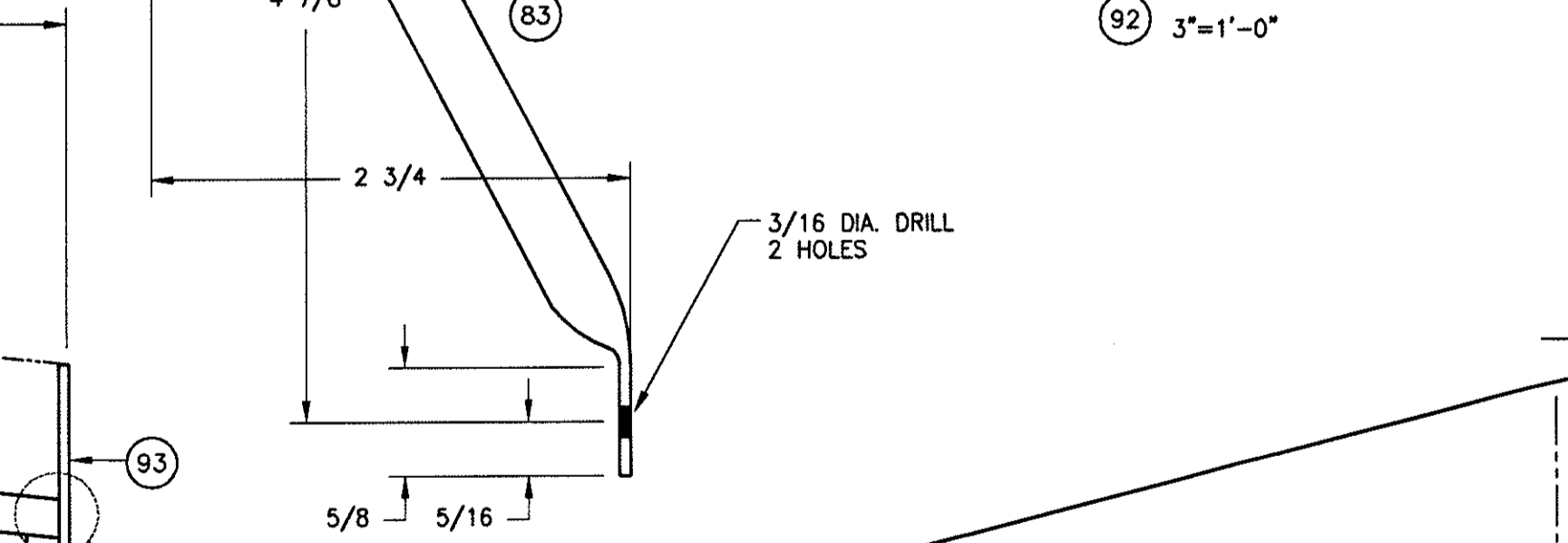
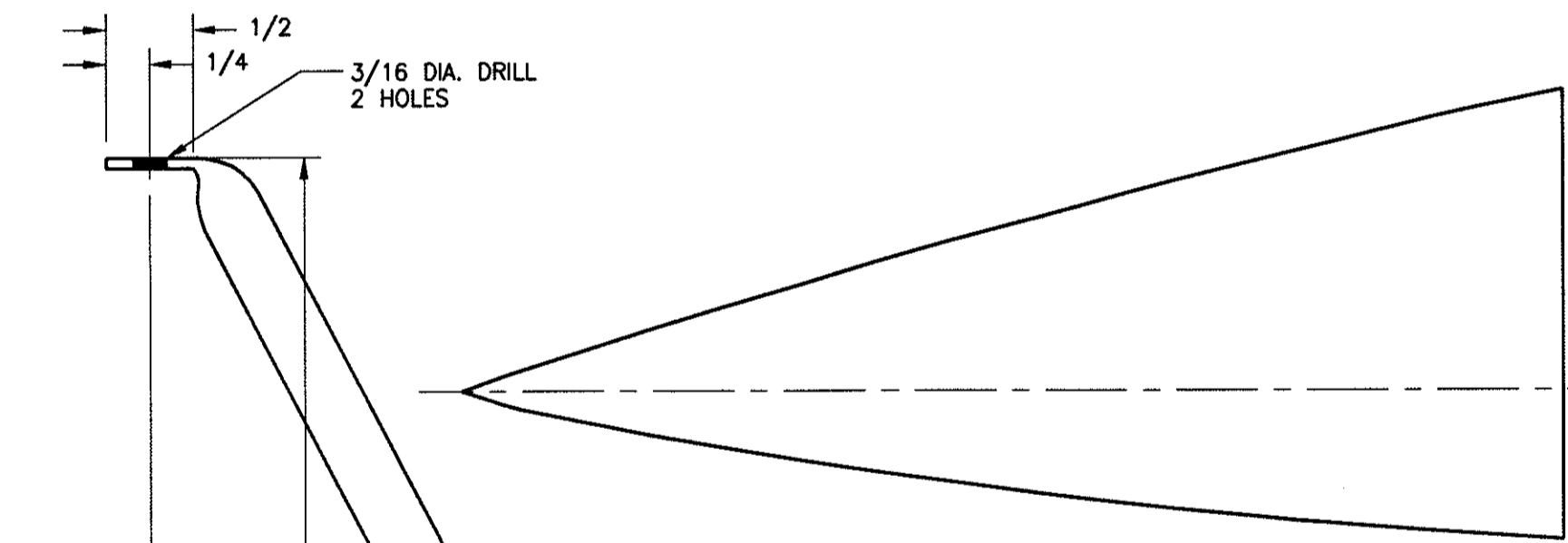
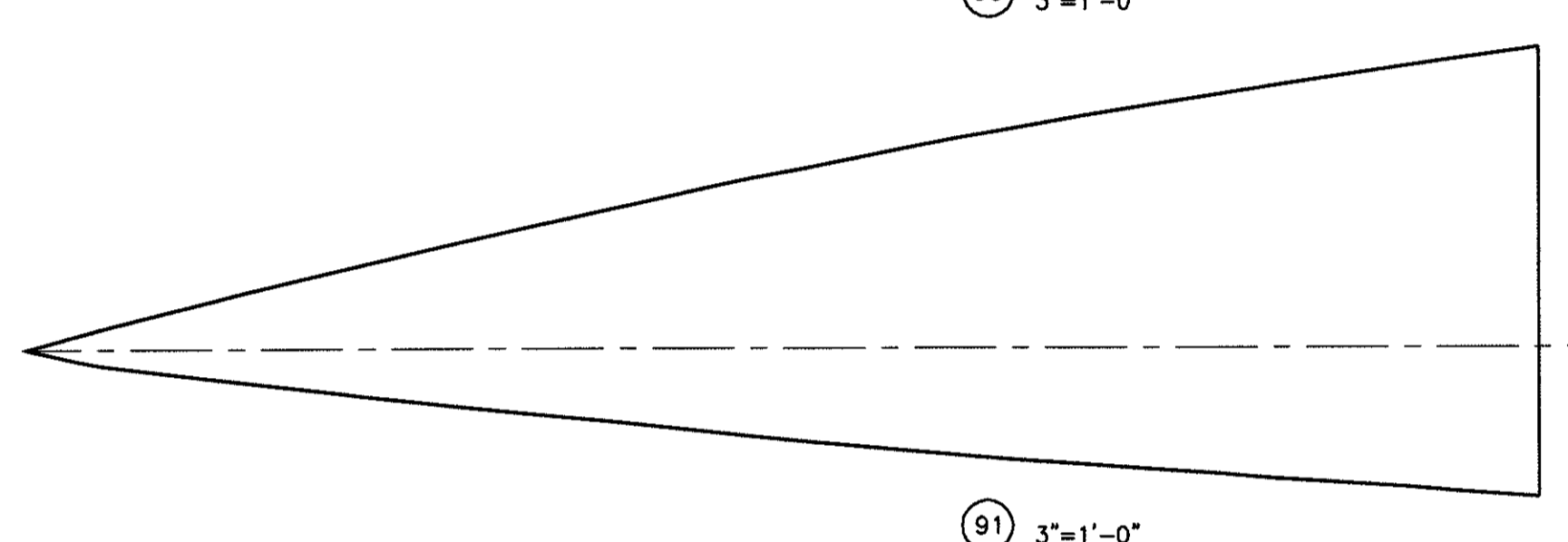
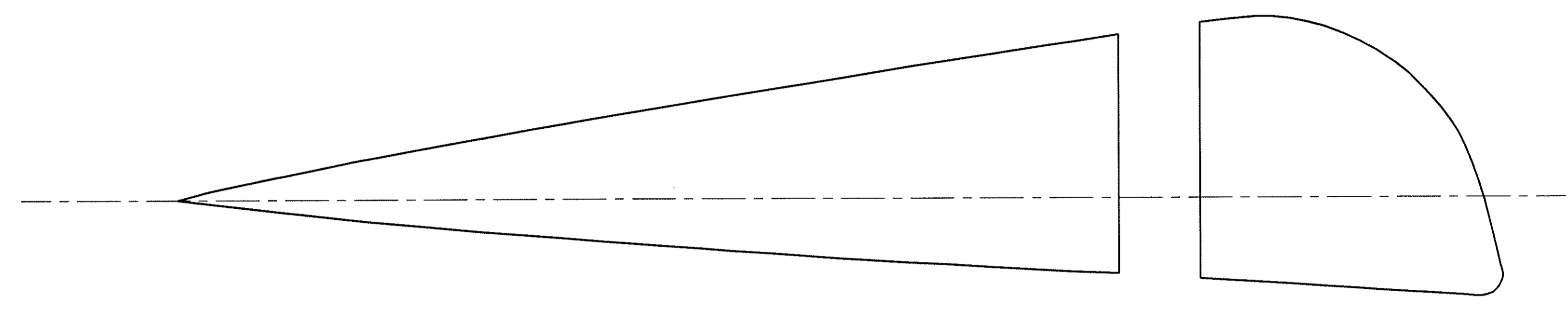
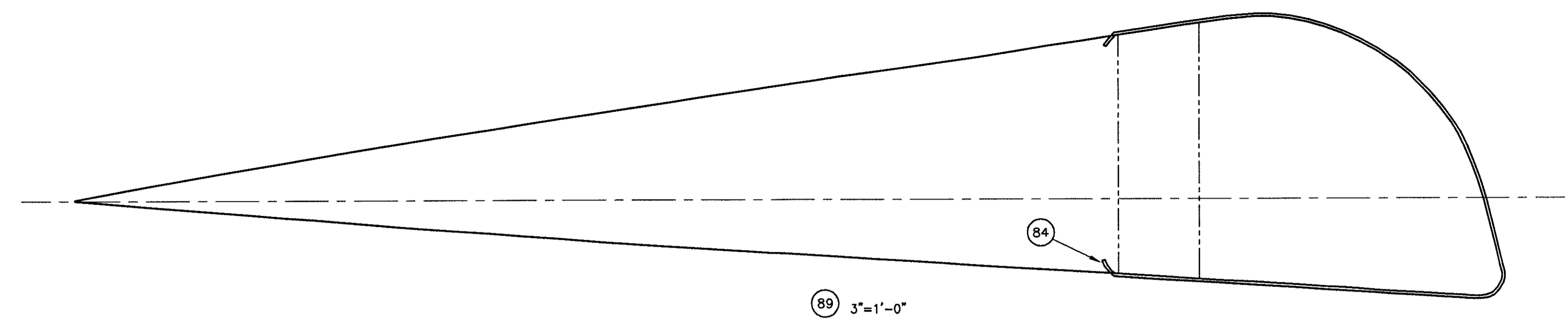
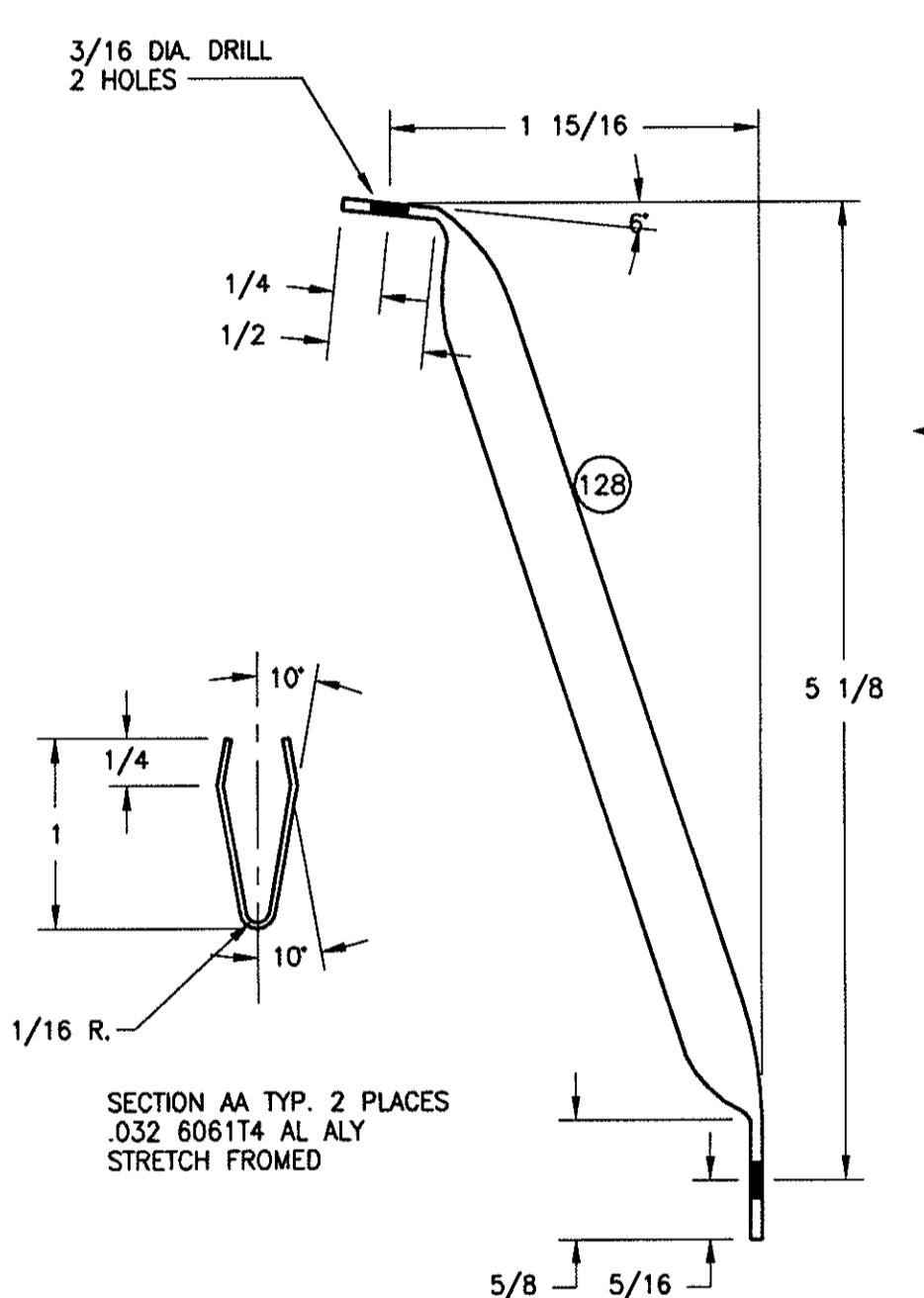


AILERON (R.H.) TOP WING

NOT REQUIRED IF FORWARD SLAVE STRUT IS TO BE INSTALLED.

NOTE: TOP AILERON WILL BE 1/4" SHORTER THAN LOWER AILERON DUE TO SWEEPBACK. USE SAME RIB LOCATION DIMENSIONS AS SHOWN ON BOTTOM AILERON.



88 SAME AS 87 EXCEPT OPPOSITE HAND

PRODUCT NAMES AND PLANS ARE COPYRIGHTED ALL RIGHTS RESERVED-PLANS PURCHASER IS AUTHORIZED TO BUILD ONE AIRPLANE ONLY-UNAUTHORIZED REPRODUCTION, OR COMMERCIAL USE OF THESE PLANS EXPRESSLY PROHIBITED.

REVISION:	DATE:
REVISED 10-9-98	
Sheet No. 7	Starduster Too Model SA300
DRAWN BY:	6/1/98
DESIGN BY:	
AILERON	
129 Chuck Yeager Way, Oroville, CA 95965	
PHONE: 530-534-7434 FAX: 530-534-7451	
WEB SITE: www.starduster.com	