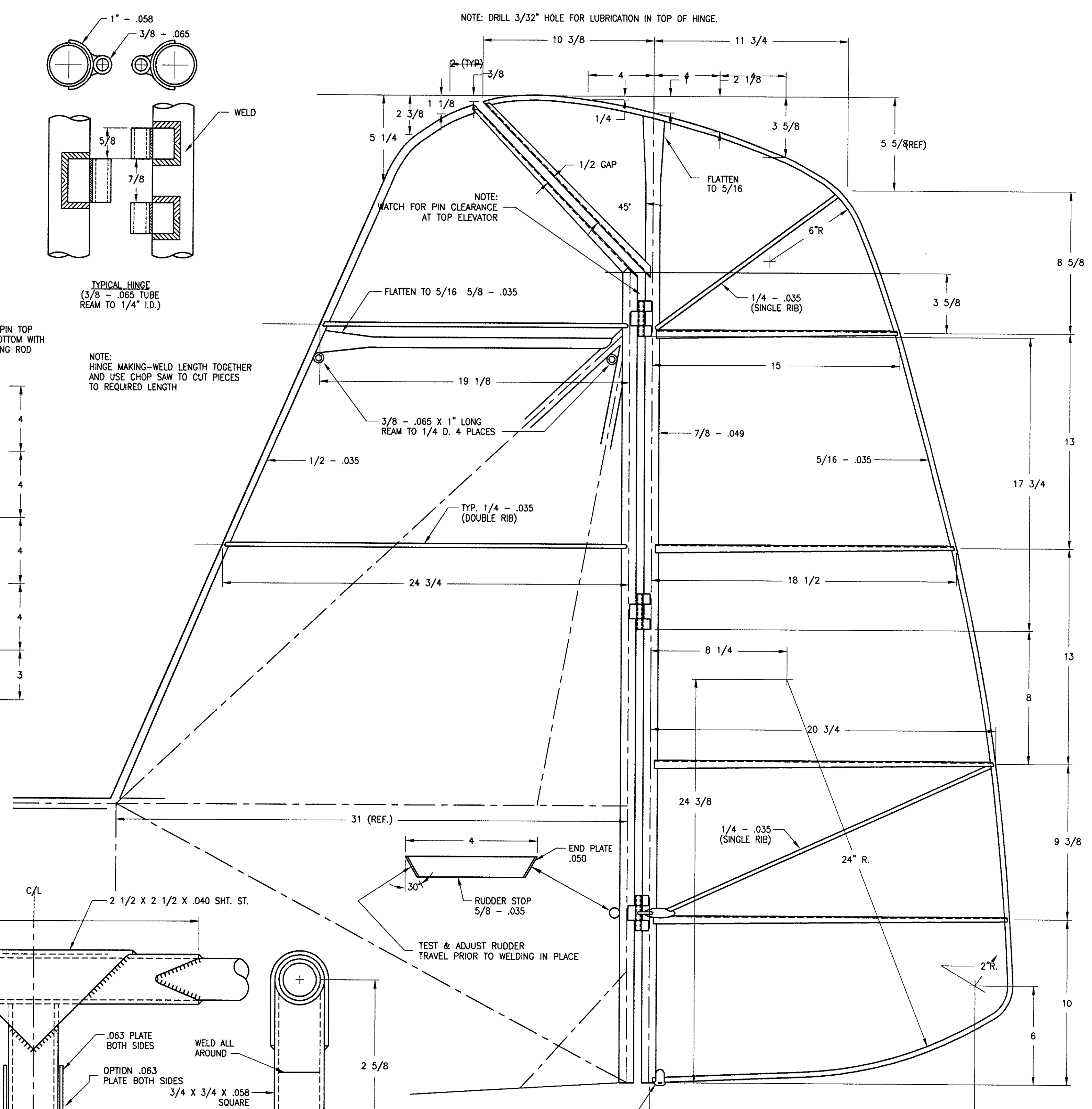
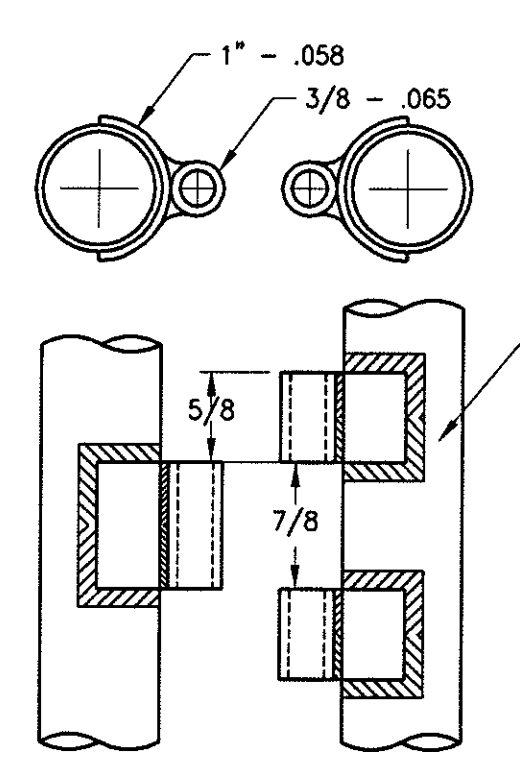
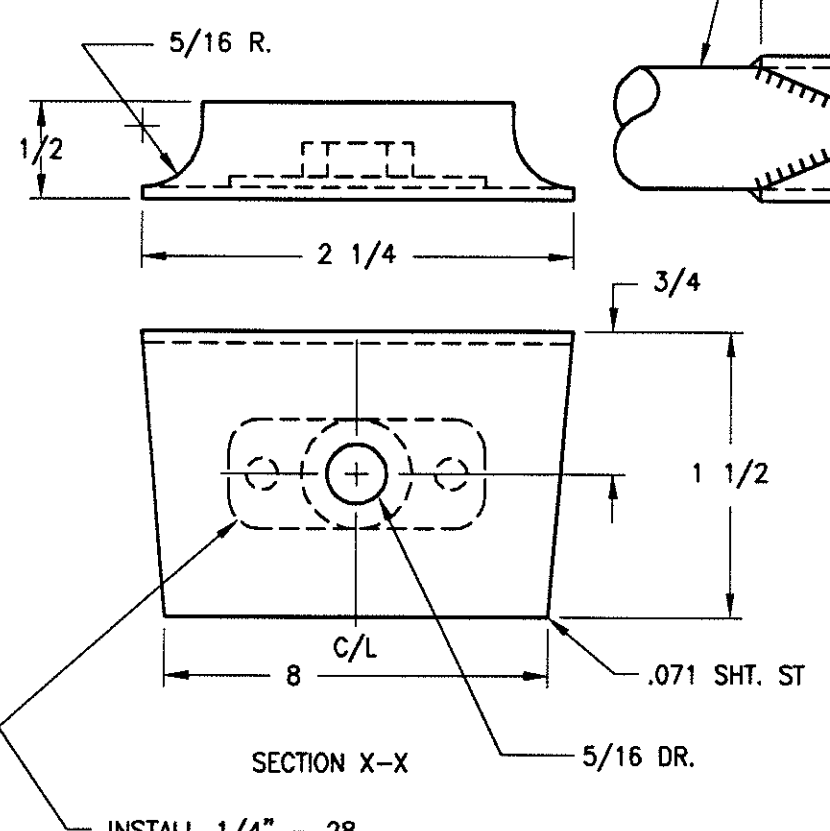
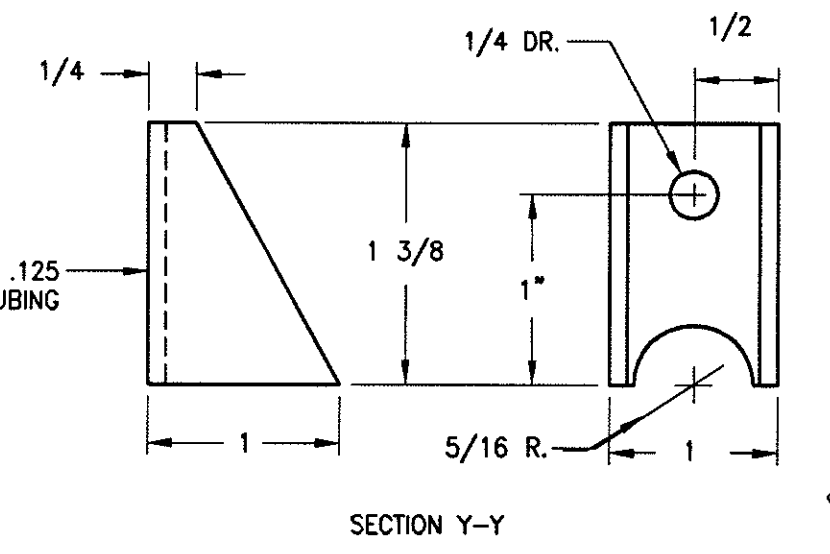
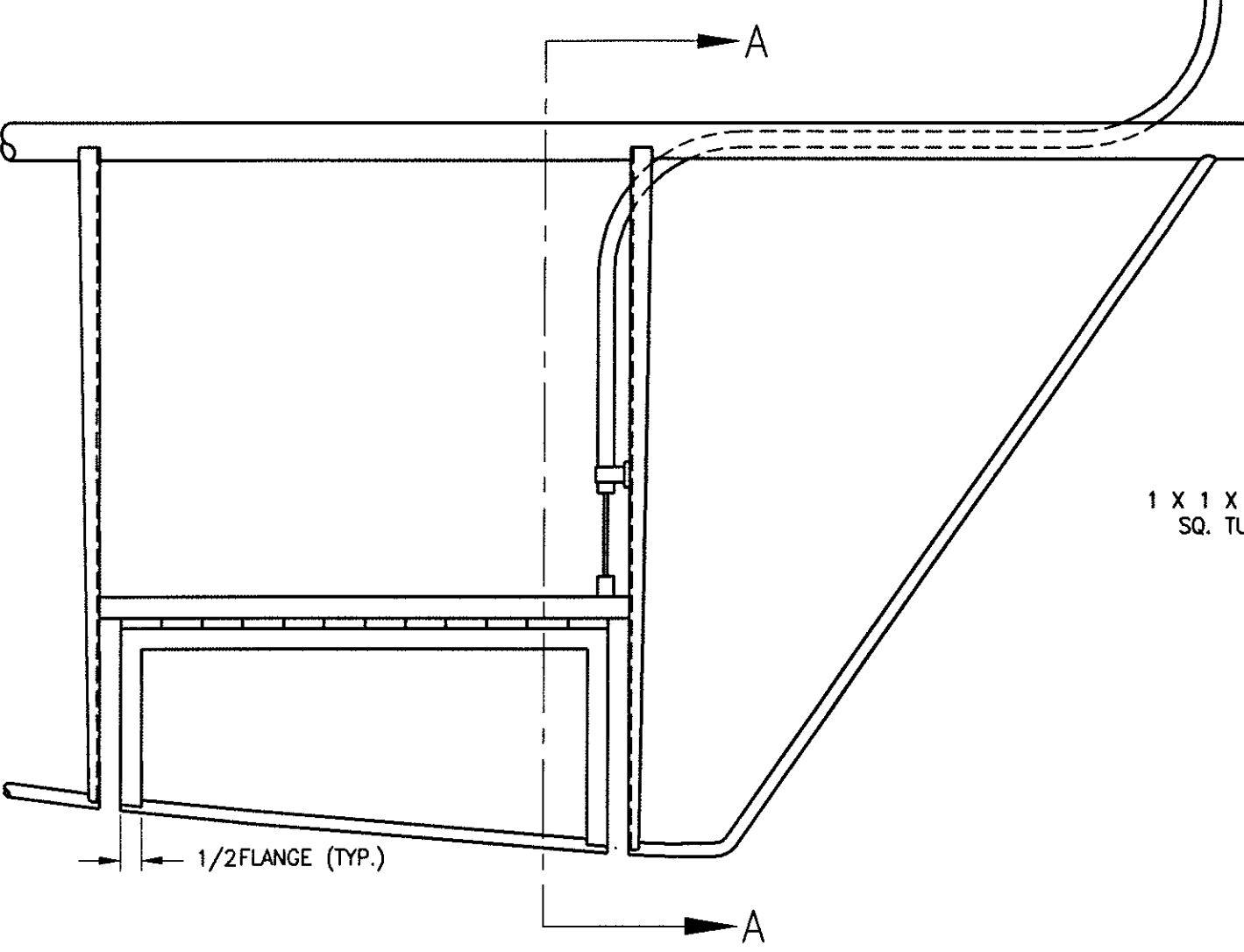


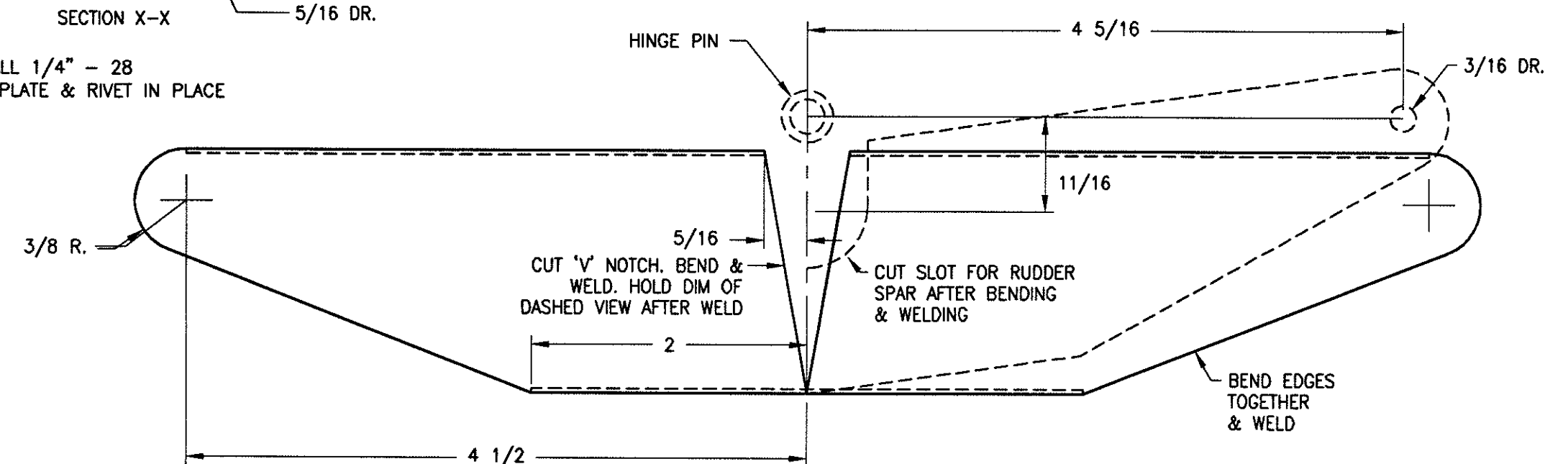
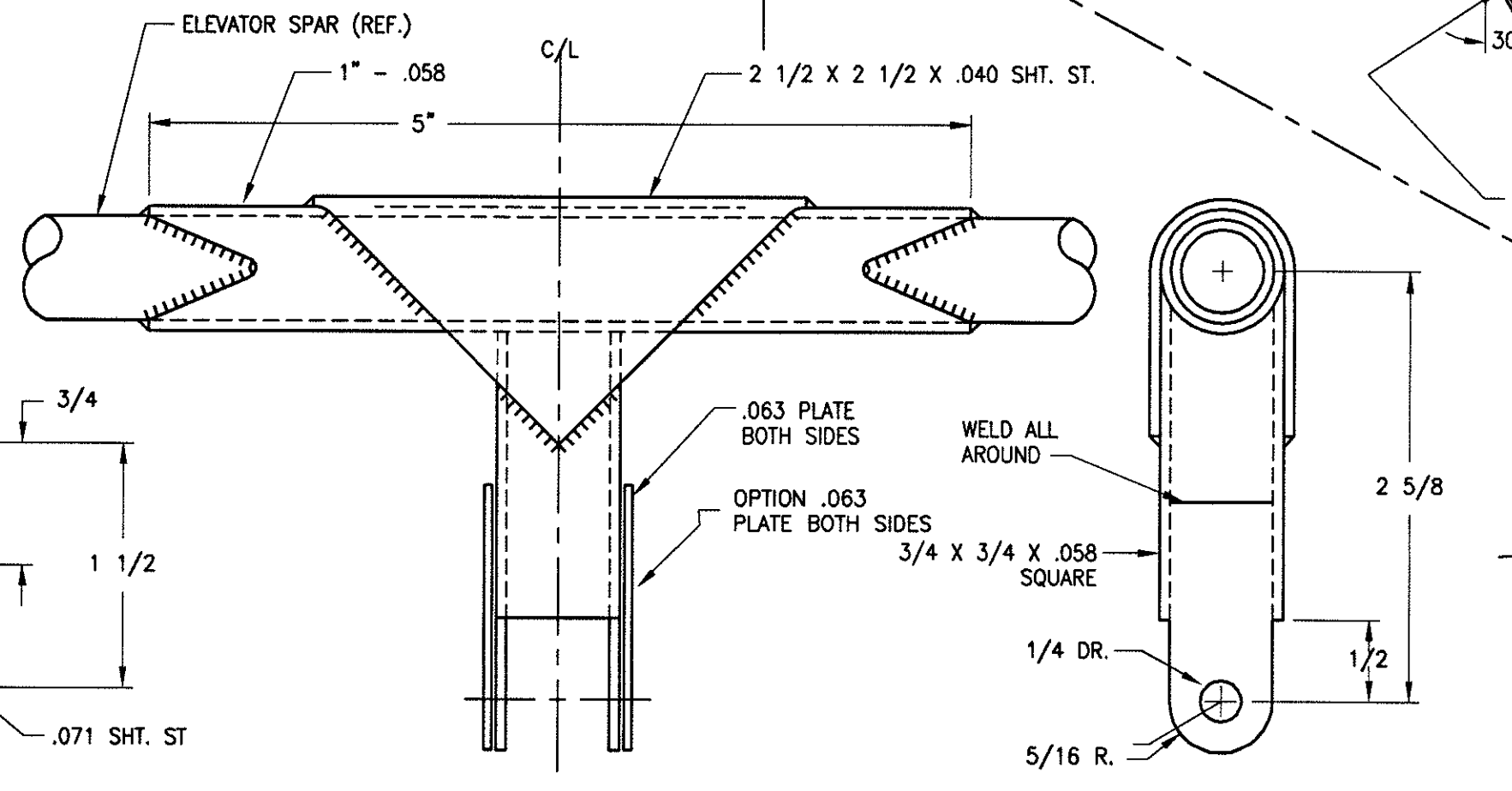
NOTE: IF A/C IS TO BE USED FOR TAIL SLIDES INSTALL 3 HINGES PER SIDE (6 TOTAL)



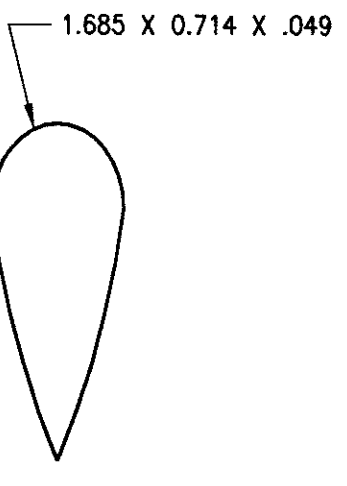
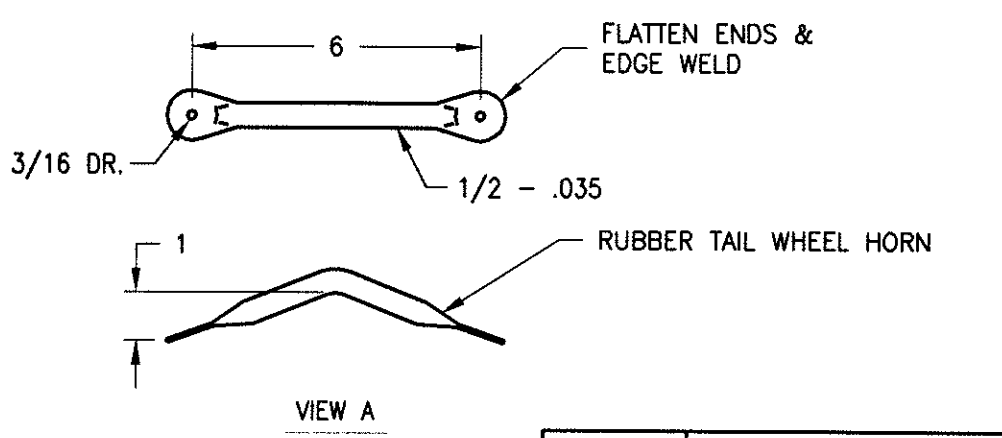
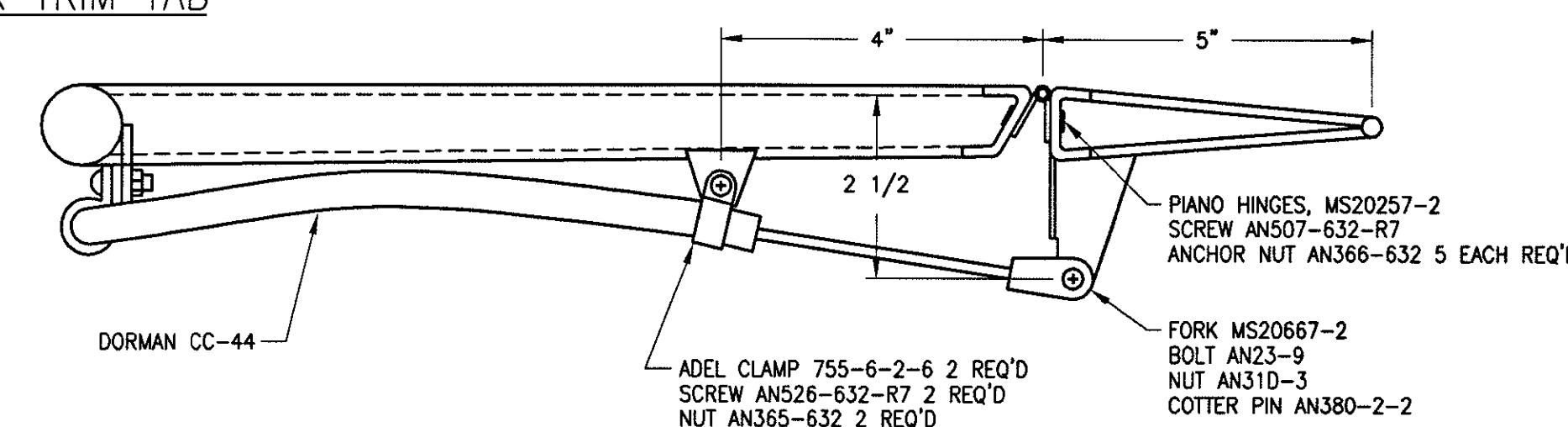
NOTE: FOR TAIL SLIDES OR EXTENDED HOURS OF USE, INSTALL 3 HINGES PER SIDE. OUTSIDE AT 39 1/2", THE OTHER AT 21 1/4"



INSTALL 1/4" - 2B NUT PLATE & RIVET IN PLACE



NOTE: SOME TRIM TABS ARE SET-UP AS SERVO TABS



| REVISION: | DATE: |
|-----------|-------|
|           |       |
|           |       |
|           |       |

Sheet No. 10 Starduster Too Model SA300

DRAWN BY: 6/1/98

DESIGN BY:

**VERTICAL FIN RUDDER STABILIZER & ELEVATOR**

129 Chuck Yeager Way, Oroville, CA 95965

PHONE:530-534-7434 FAX:530-534-7451

WEB SITE: www.starduster.com

PRODUCT NAMES AND PLANS ARE COPYRIGHTED ALL RIGHTS RESERVED-PLANS PURCHASER IS AUTHORIZED TO BUILD ONE AIRPLANE ONLY-UNAUTHORIZED REPRODUCTION, OR COMMERCIAL USE OF THESE PLANS EXPRESSLY PROHIBITED.