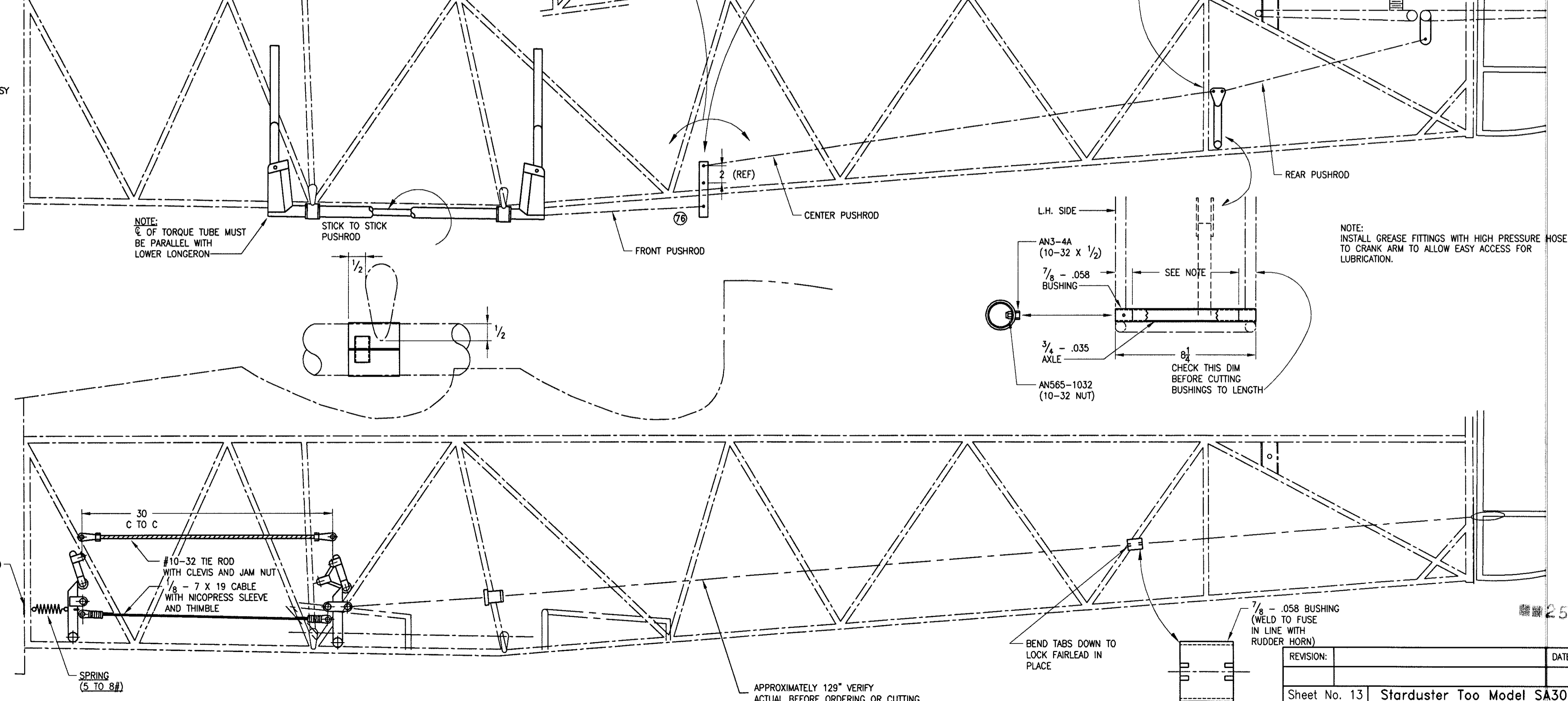
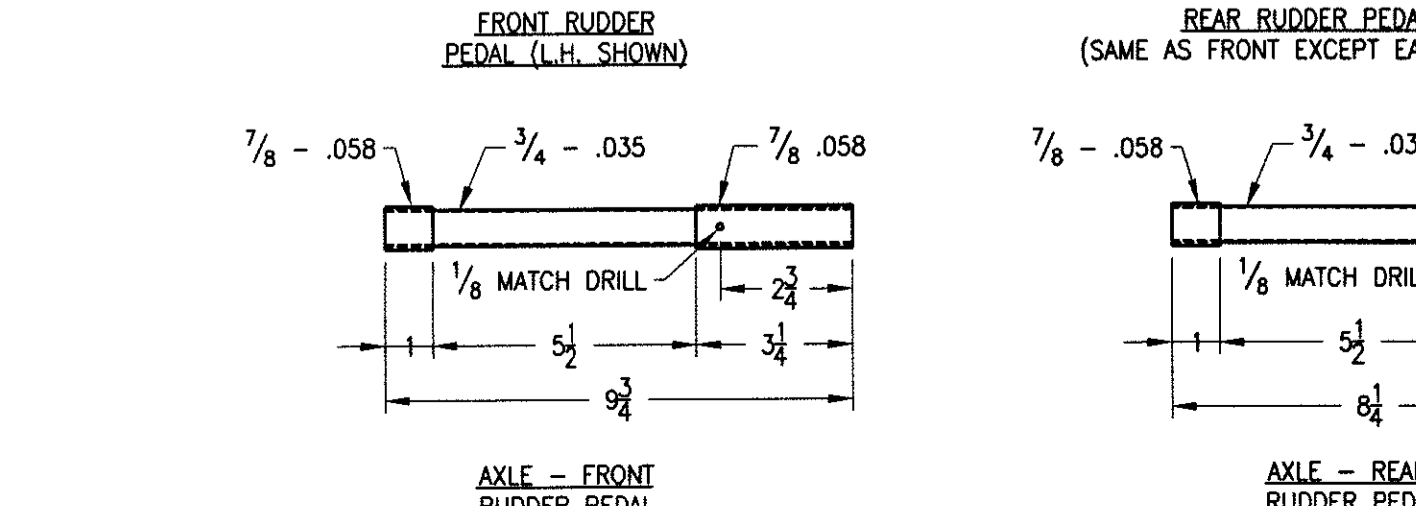
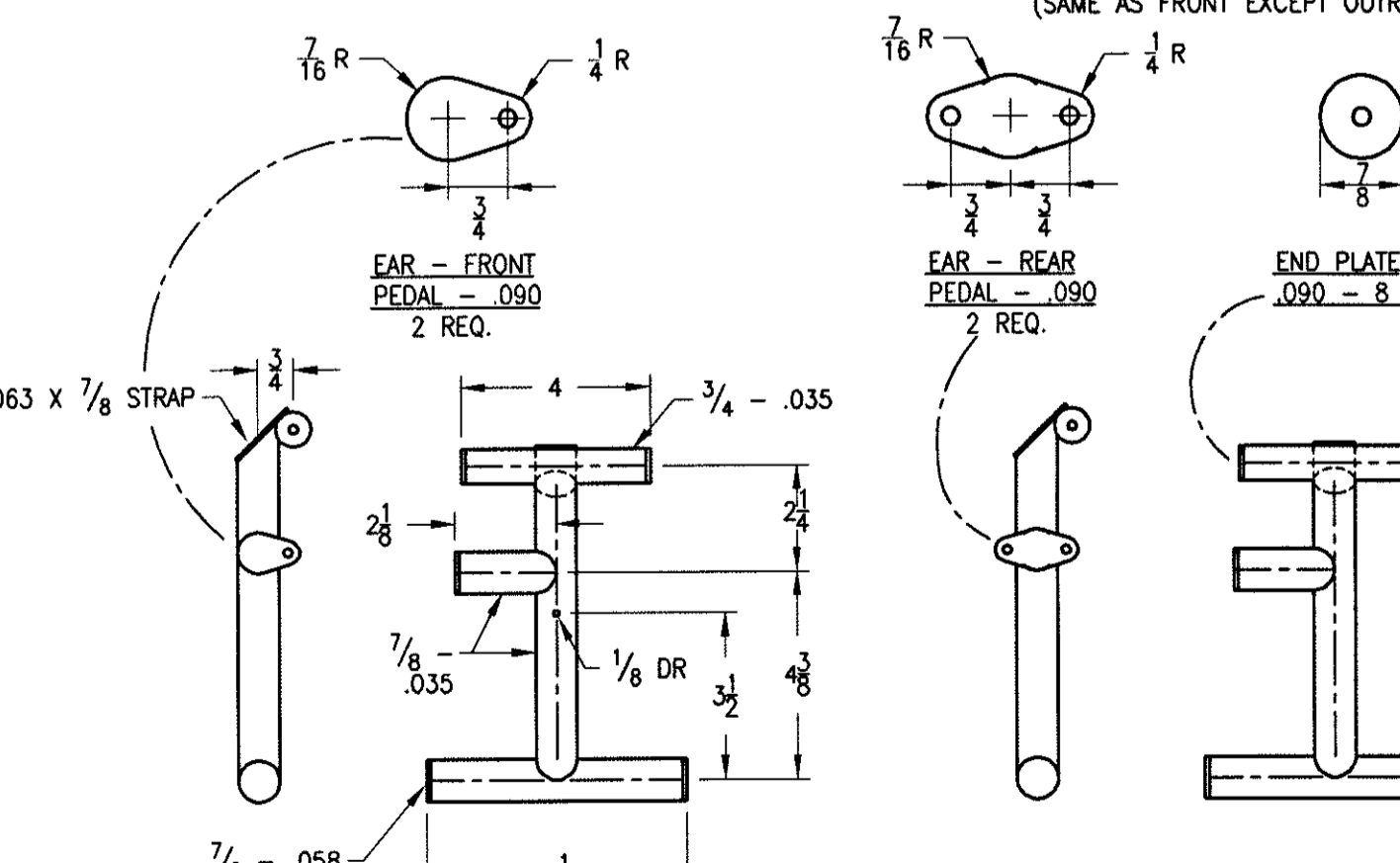
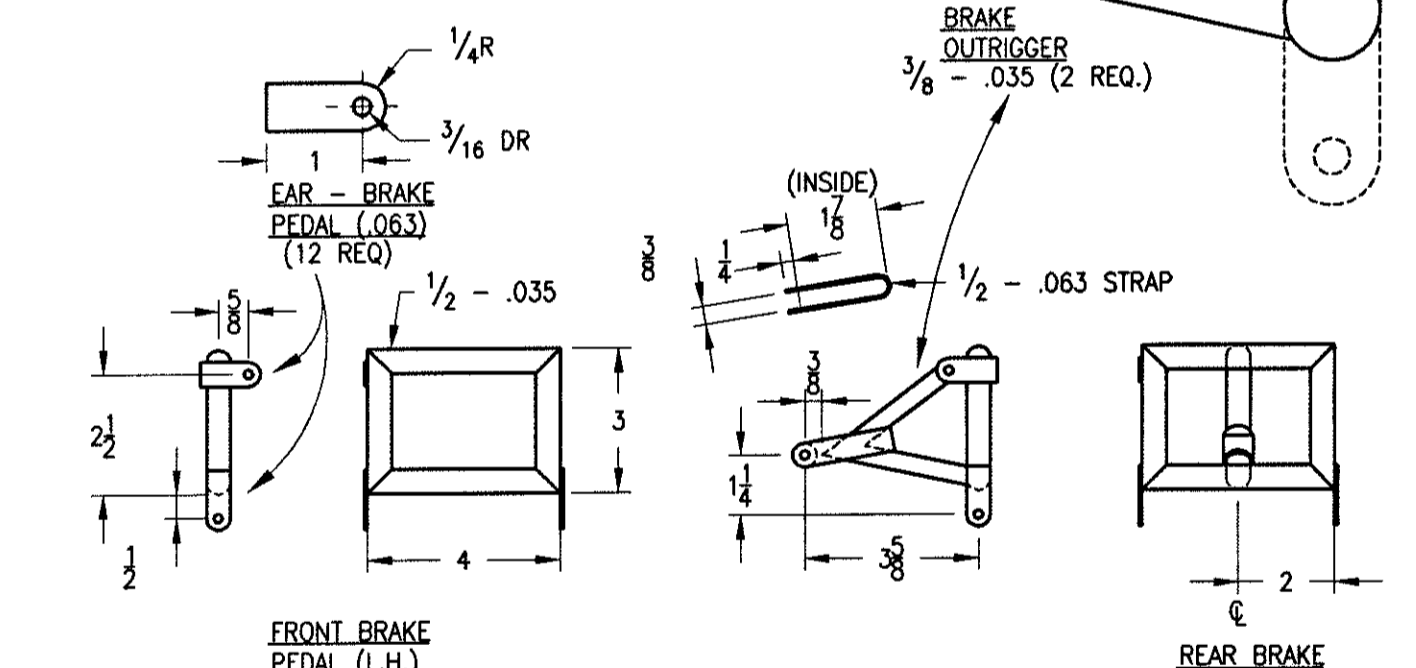
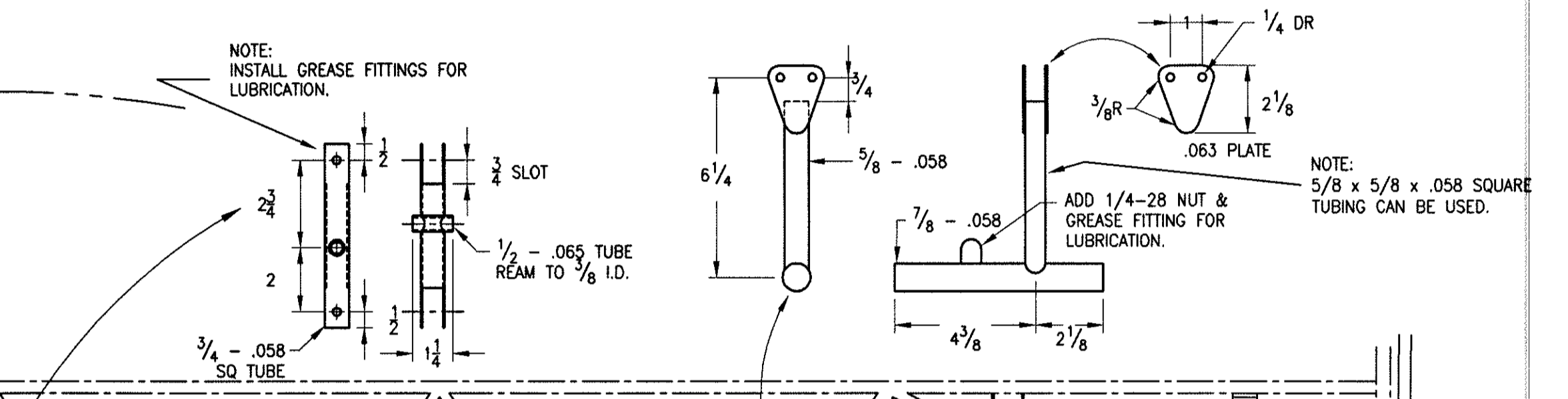
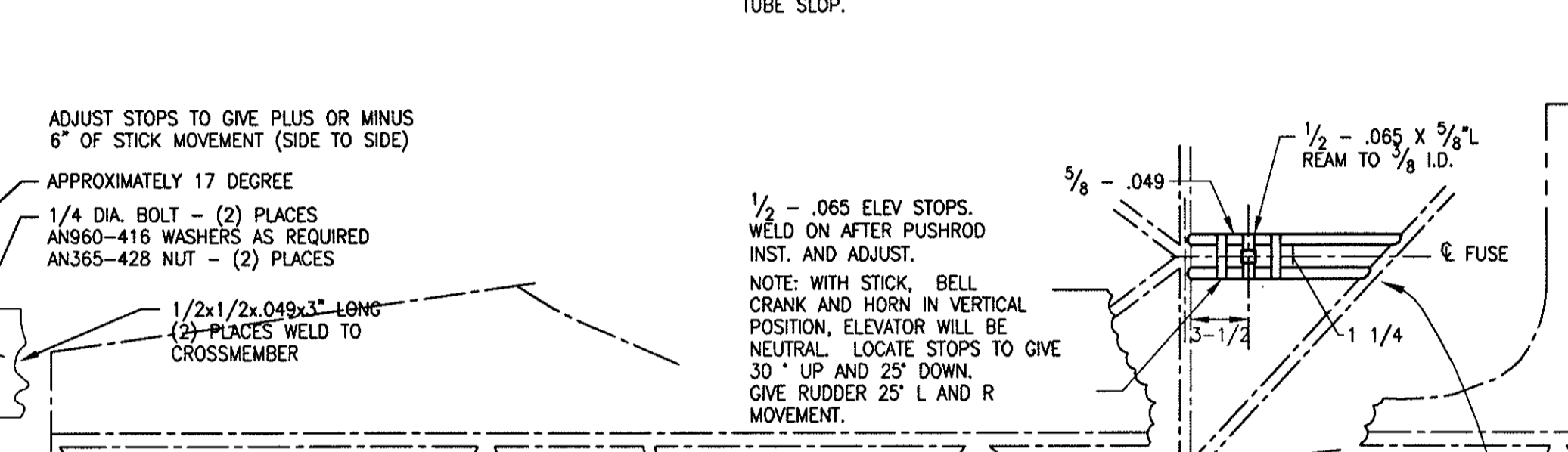
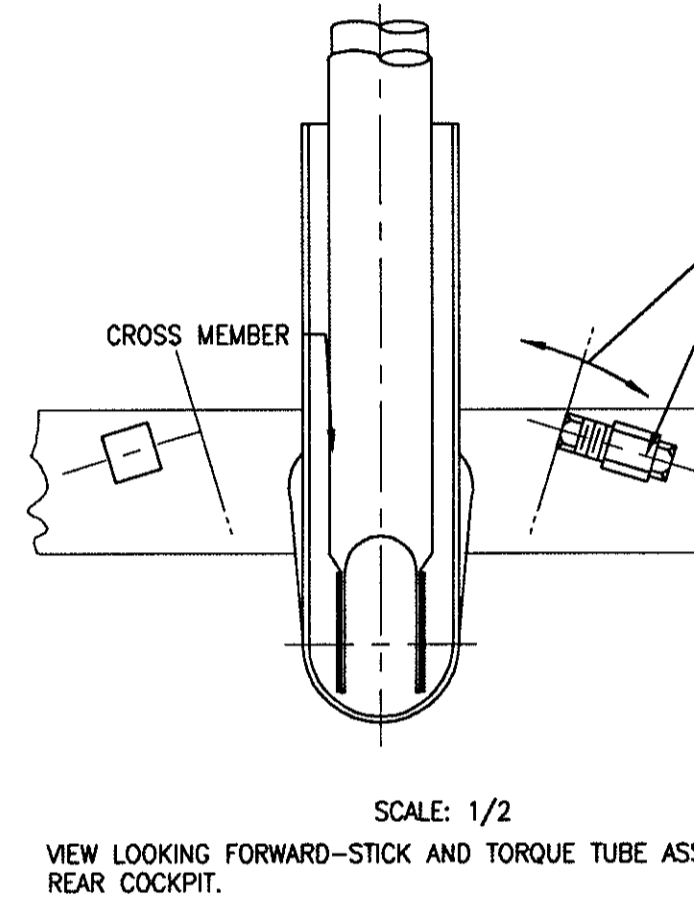
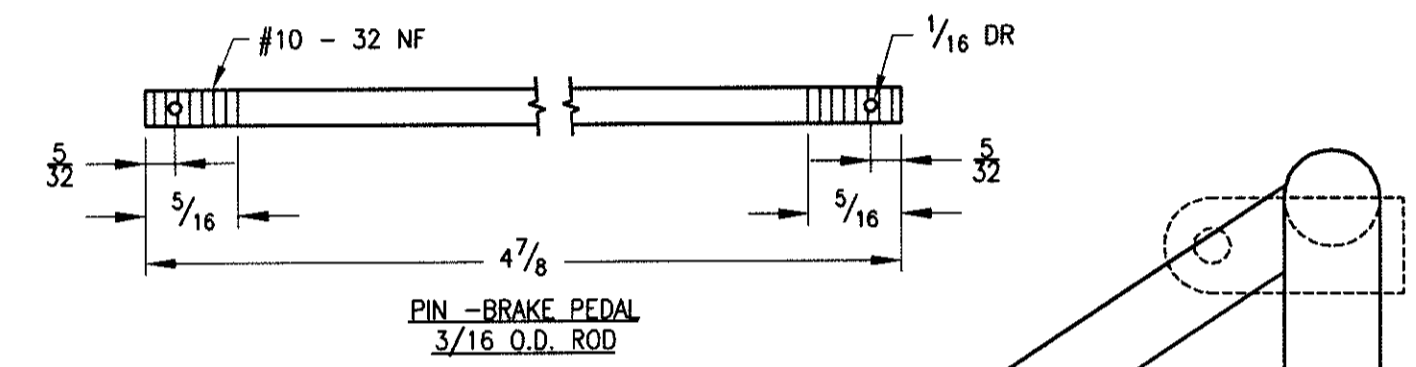
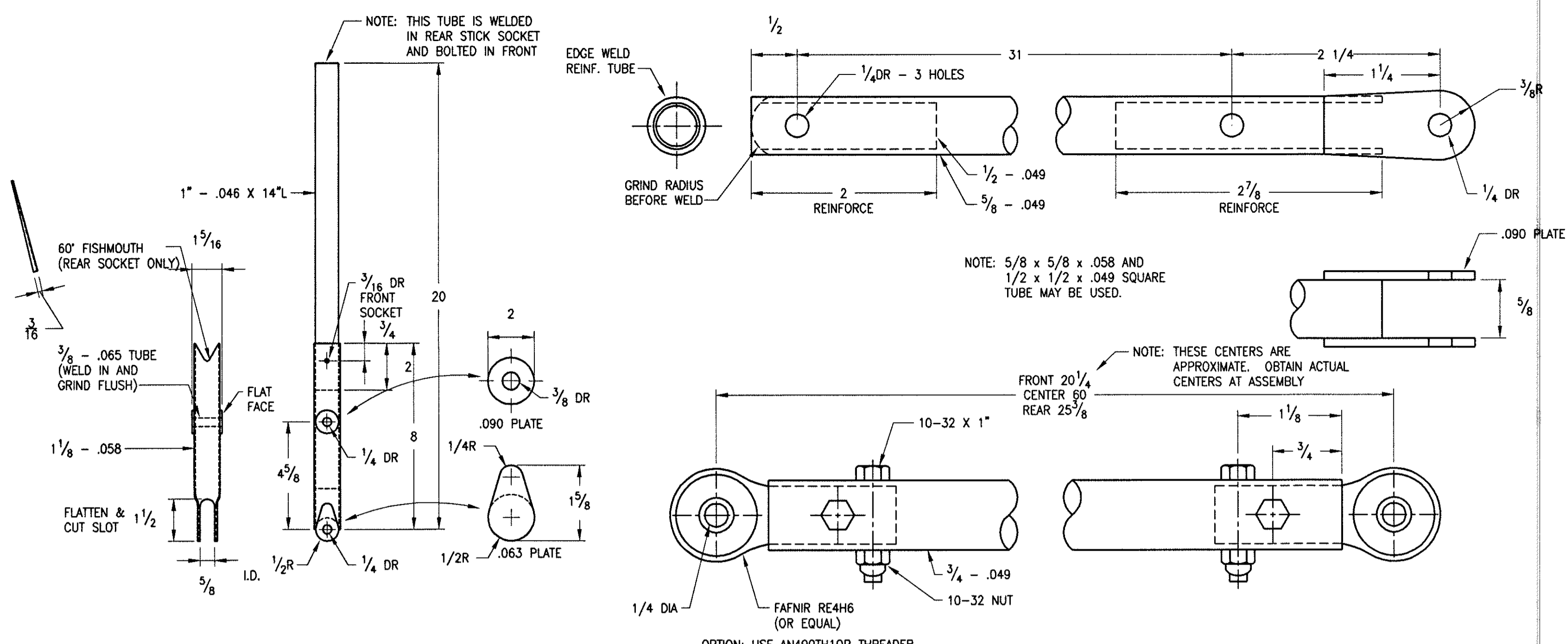
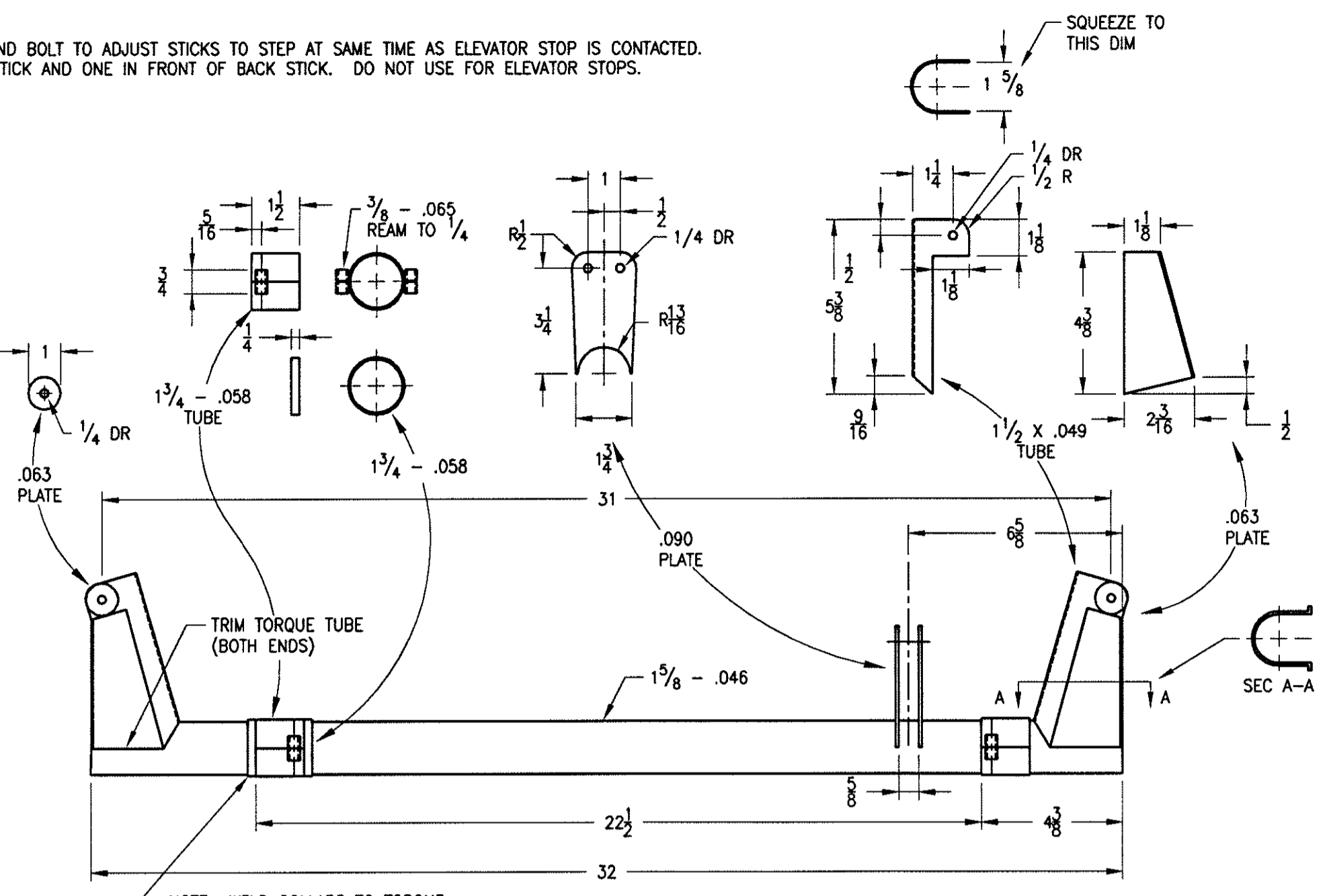
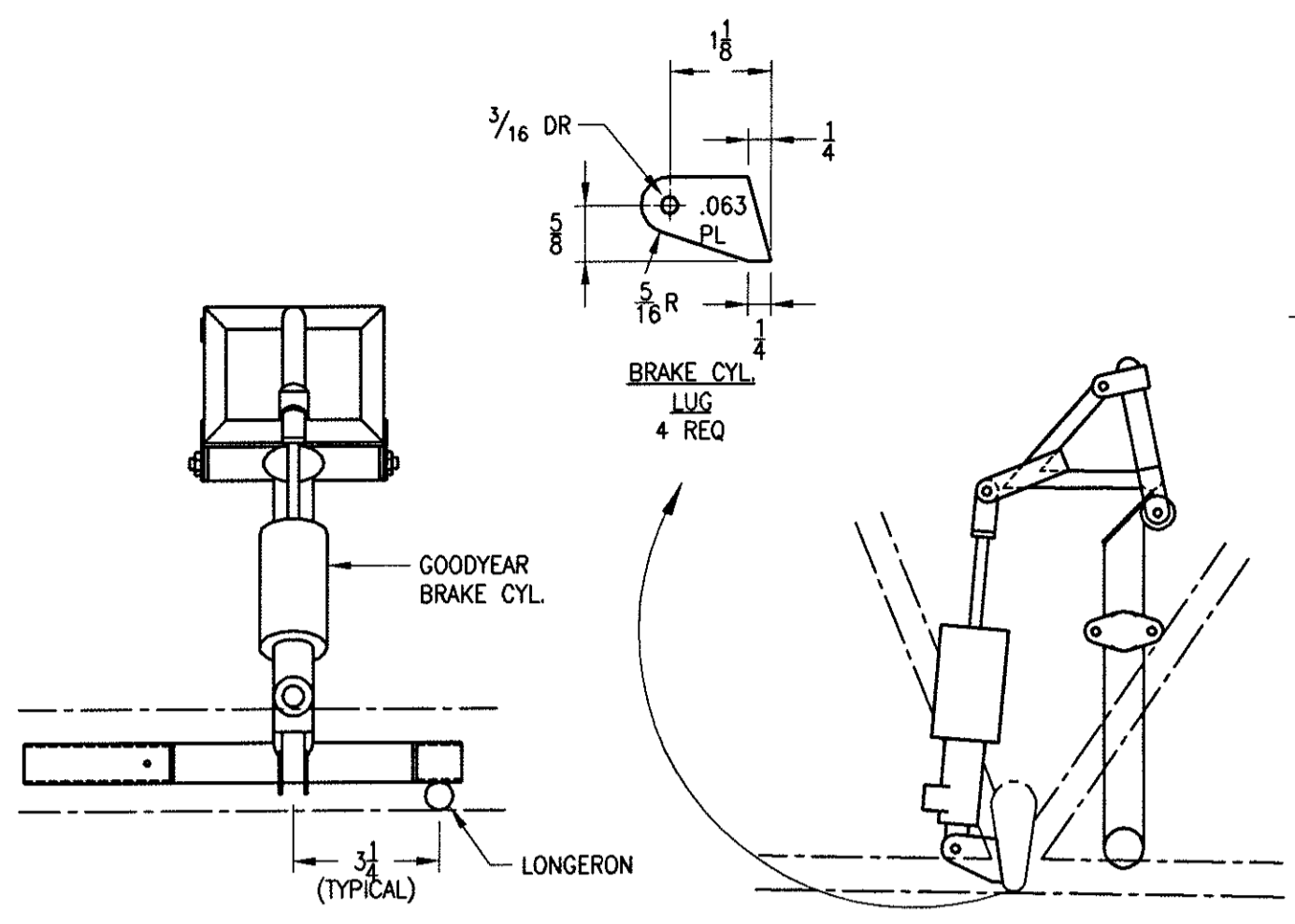


NOTE: INSTALL WELDED NUT-LOCKNUT AND BOLT TO ADJUST STICKS TO STEP AT SAME TIME AS ELEVATOR STOP IS CONTACTED. INSTALL ONE IN BACK OF FRONT STICK AND ONE IN FRONT OF BACK STICK. DO NOT USE FOR ELEVATOR STOPS.



NOTE: WITH STICK, BELL CRANKS & HORN IN VERTICAL POSITION, ELEVATOR WILL BE NEUTRAL. LOCATE STOPS TO GIVE 30" UP AND 25" DOWN. GIVE RUDDER 25" LEFT & RIGHT MOVEMENT.

REVISION:	DATE:
Sheet No. 13	Starduster Too Model SA300
DRAWN BY:	6/1/98
DESIGN BY:	CONTROLS
129 Chuck Yeager Way, Oroville, CA 95965	
PHONE: 530-534-7434 FAX: 530-534-7451	
WEB SITE: www.starduster.com	

PRODUCT NAMES AND PLANS ARE COPYRIGHTED ALL RIGHTS RESERVED. PLANS PURCHASER IS AUTHORIZED TO BUILD ONE AIRPLANE ONLY. UNAUTHORIZED REPRODUCTION OR COMMERCIAL USE OF THESE PLANS EXPRESSLY PROHIBITED.