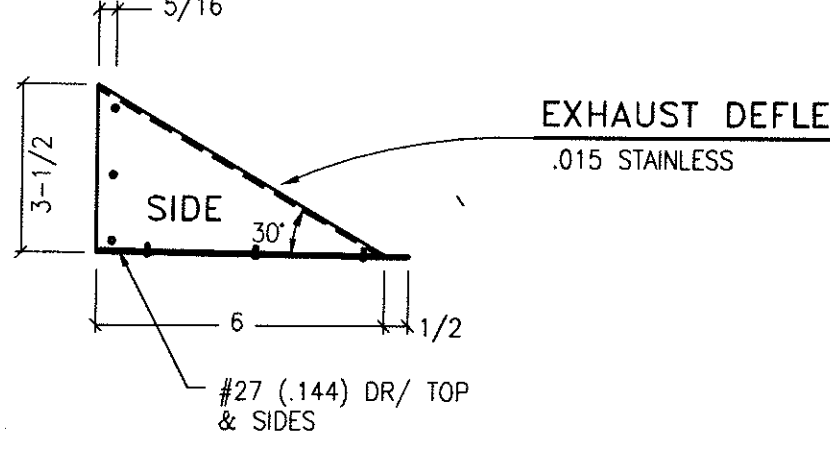
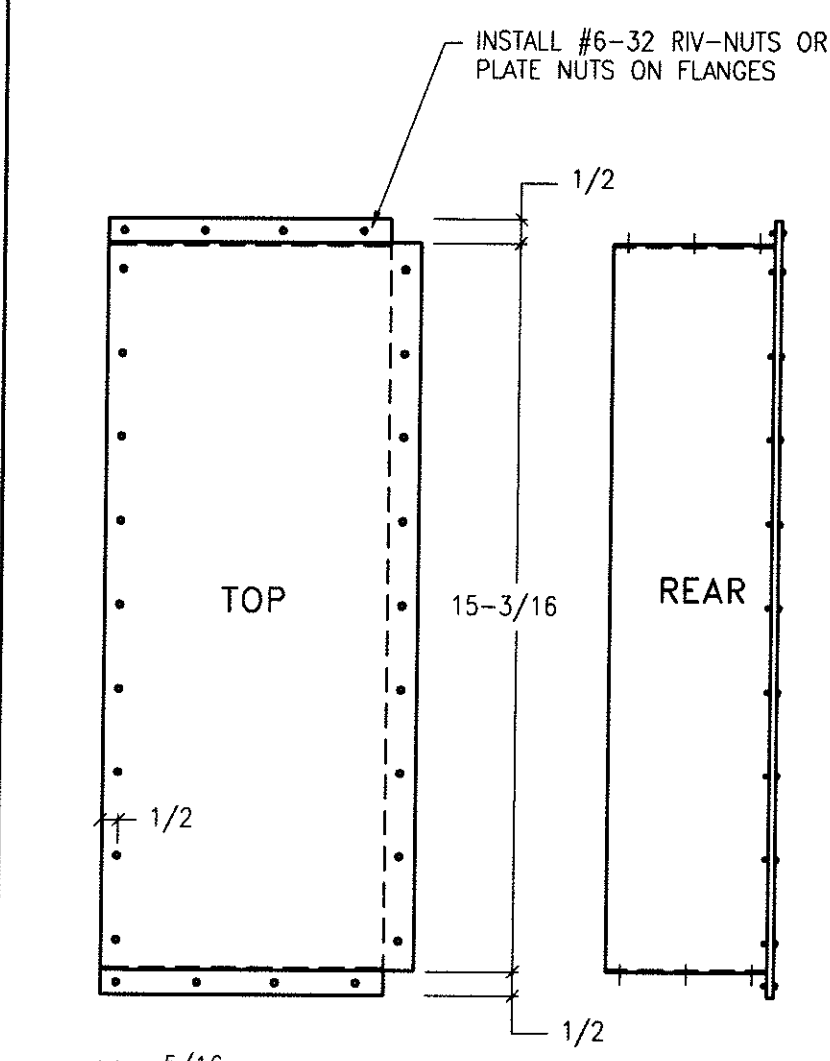
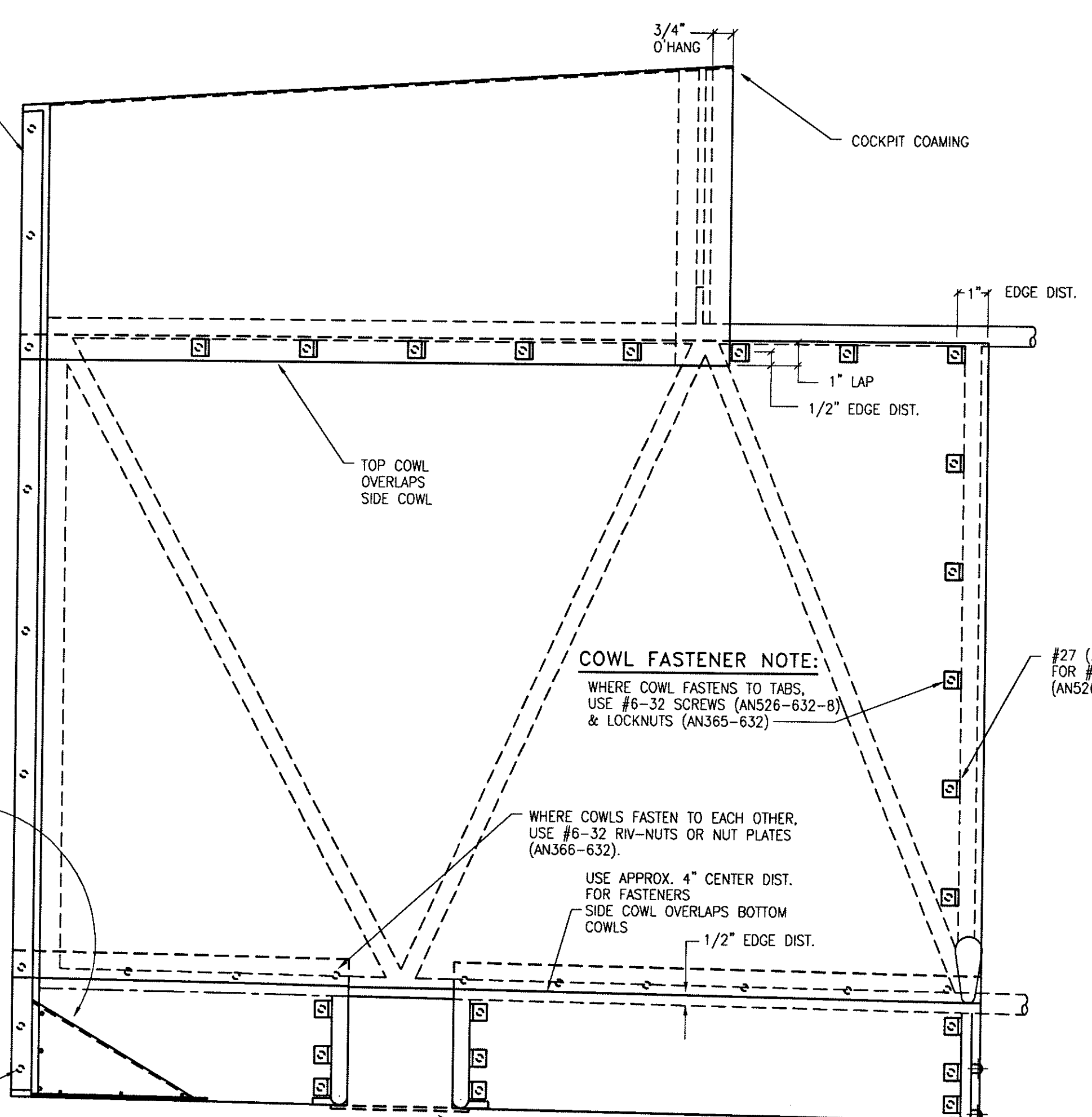


NOTE:
CEMENT 1/2" NYLON CHAFING STRIP TO
FIREWALL FLANGE BEFORE FITTING UP COWLS



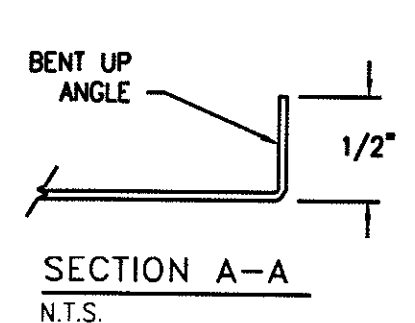
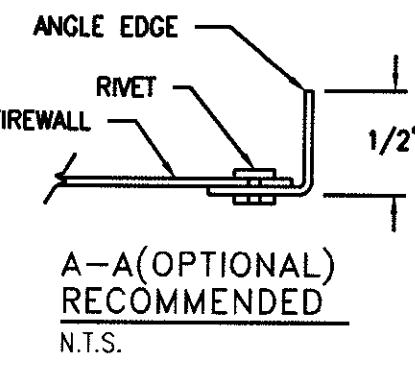
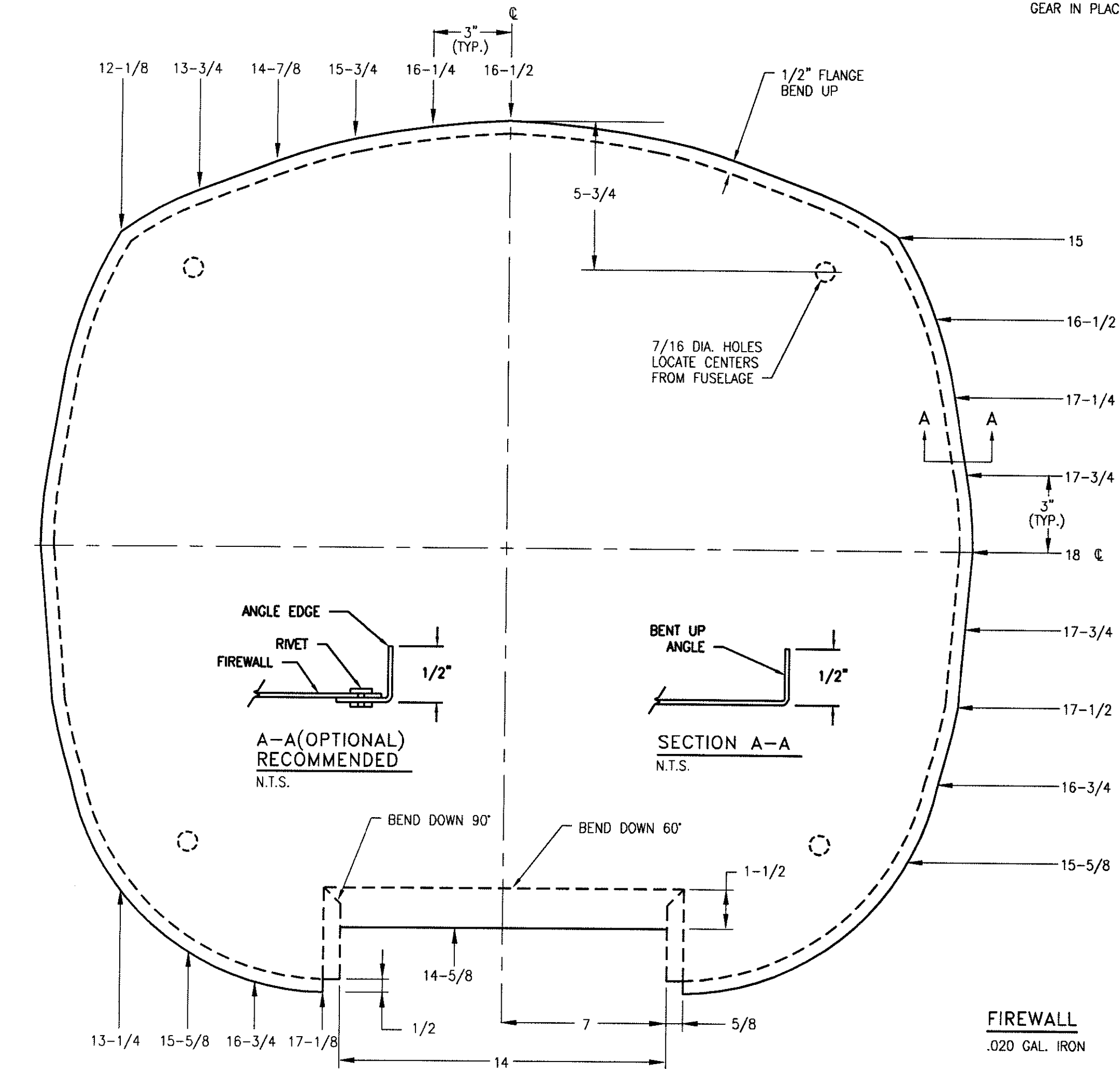
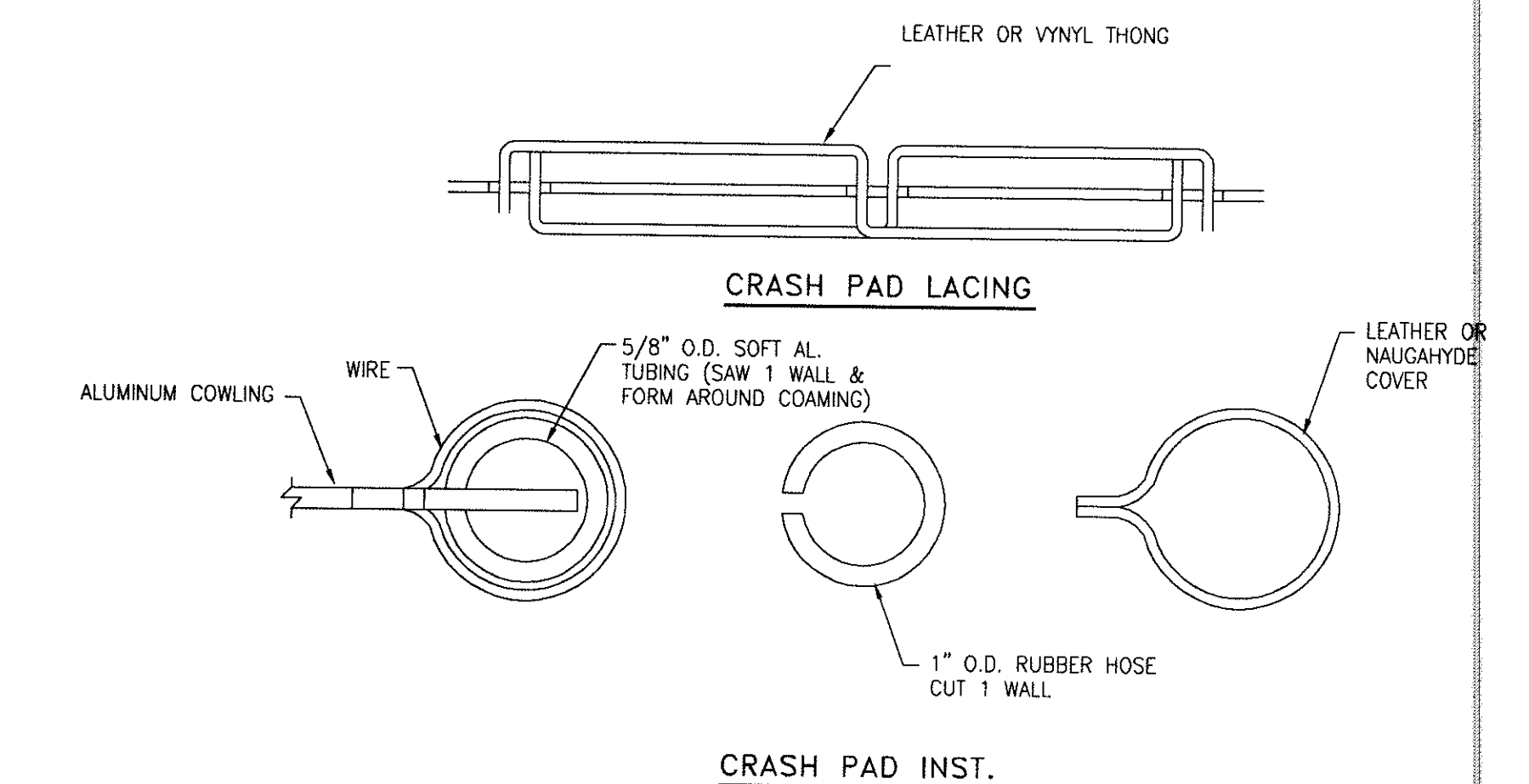
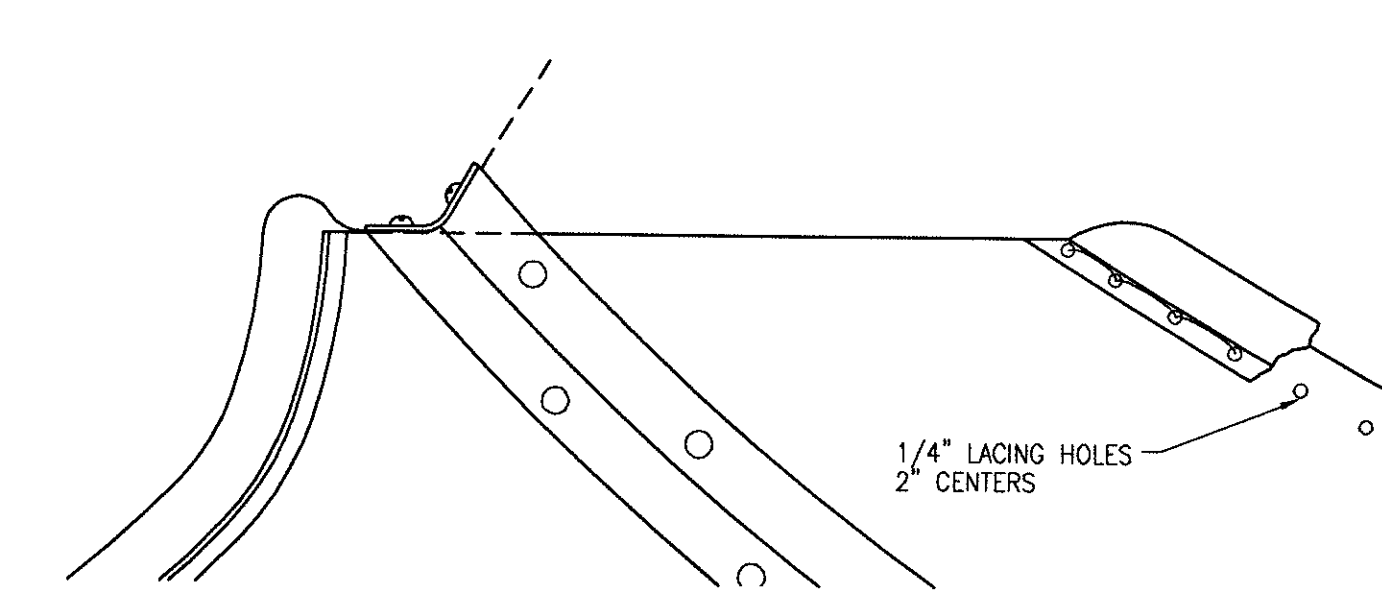
USE #6-32 NUT PLATES (AN366-632)
& SCREWS TO ATTACH COWLS TO
FIREWALL FLANGE



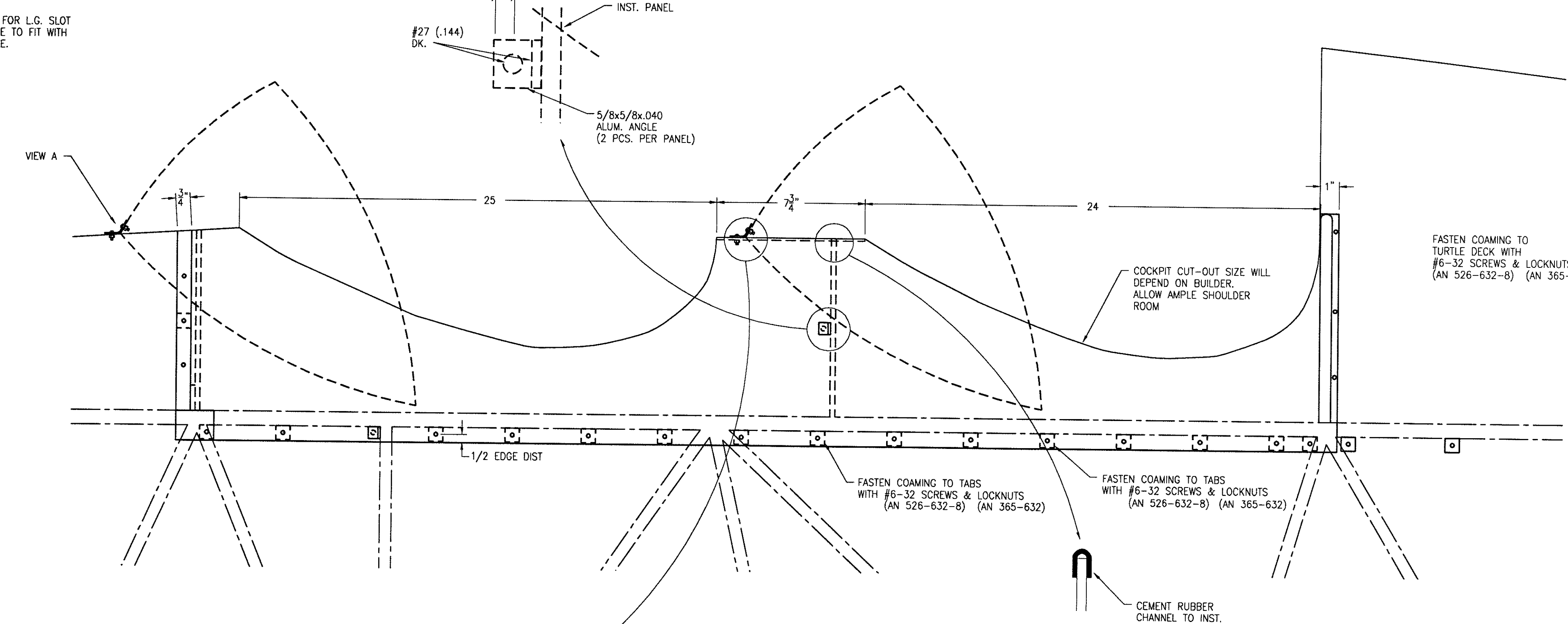
COWL FASTENER NOTE:
WHERE COWL FASTENS TO TABS,
USE #6-32 SCREWS (AN526-632-8)
& LOCKNUTS (AN365-632)

WHERE COWLS FASTEN TO EACH OTHER,
USE #6-32 RIV-NUTS OR NUT PLATES
(AN366-632).
USE APPROX. 4" CENTER DIST.
FOR FASTENERS.
SIDE COWL OVERLAPS BOTTOM
COWLS

NOTE:
BEST WAY TO SECURE SHEET METAL
IS WITH TINNER MAN SCREWS & NUTS



FIREWALL
.020 GAL. IRON

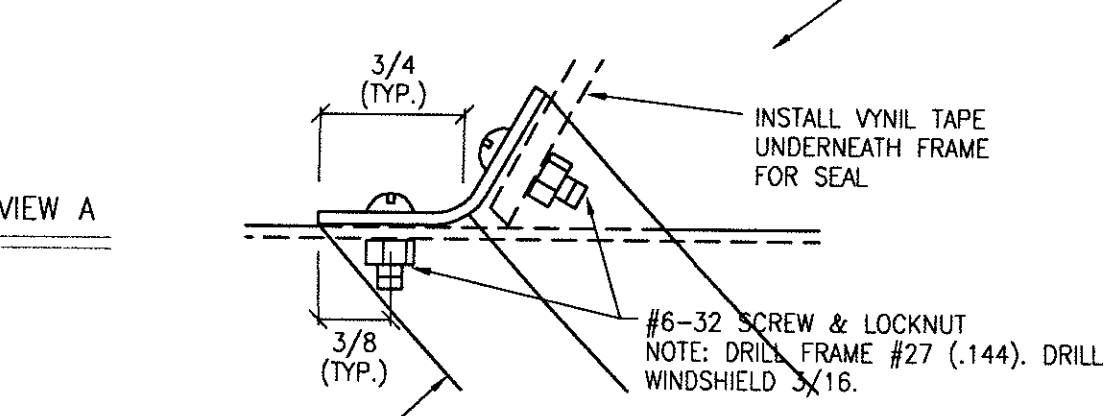


FASTEN COAMING TO
TURTLE DECK WITH
#6-32 SCREWS & LOCKNUTS
(AN 526-632-8) (AN 365-632)

FASTEN COAMING TO TABS
WITH #6-32 SCREWS & LOCKNUTS
(AN 526-632-8) (AN 365-632)

FASTEN COAMING TO TABS
WITH #6-32 SCREWS & LOCKNUTS
(AN 526-632-8) (AN 365-632)

CEMENT RUBBER
CHANNEL TO INST.
PANELS



WINDSHIELD MOUNT
USE APPROX. 2" CENTERS
ON FASTENERS.

2562

| | |
|--|---|
| REVISION: | DATE: |
| | |
| | |
| | |
| | |
| Sheet No. 18 | Starduster Too Model SA300 |
| DRAWN BY: | 6/1/98 |
| DESIGN BY: | SHEET METAL FIREWALL COAMING |
| 129 Chuck Yeager Way, Oroville, CA 95965 | |
| PHONE: 530-534-7434 FAX: 530-534-7451 | |
| WEB SITE: takeoff@starduster.com | |

PRODUCT NAMES AND PLANS ARE COPYRIGHTED ALL RIGHTS
RESERVED-PLANS PURCHASER IS AUTHORIZED TO BUILD
ONE AIRPLANE ONLY-UNAUTHORIZED REPRODUCTION, OR
COMMERCIAL USE OF THESE PLANS EXPRESSLY PROHIBITED.